

BETTER AIR EXCHANGER

HEAT RECOVERY VENTILATION



DEPENDABLE MOISTURE CONTROL

LOWER HEATING COSTS

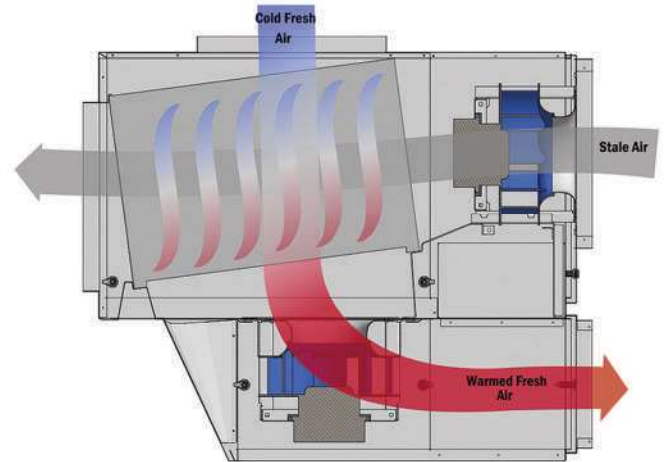
ENJOY FRESH AIR



HOW IT WORKS

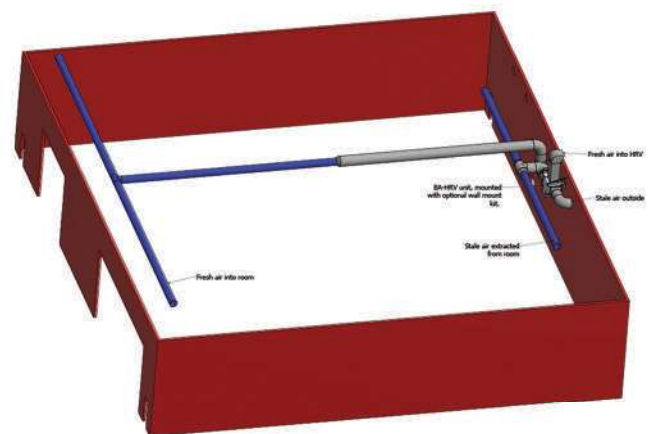


The Better Air Exchanger automatically exchanges humid, stale air from inside the garage or shop with an equal amount of fresh outside air. Two air streams enter the unit's core where they pass by each other, but do not mix since the individual aluminum plates in the core keep them separate. The EXHAUST fan draws stale, moist air from inside the building into the unit before sending this air to the outside. The INTAKE fan simultaneously draws fresh, dry air from the outside into the unit where it passes between the aluminum plates absorbing the heat from the exhausting stale air. The clean, dry, fresh pre-heated air is then circulated into the shop. As it becomes stale, it is drawn into the Air Exchanger and the process is repeated.



During cold winter humidity buildup is inevitable, creating a humid environment inside our buildings. Excess moisture coats walls, ceilings & eventually permeates building structures. This excess of moisture creates an environment that is detrimental to the longevity of the building. Metal tools, equipment and building structures begin to rust. Wooden structures take on moisture creating mildew which drastically speeds up rot and deterioration.

Indoor air pollutants build up. These pollutants come from welders, paint booths, & exhaust from machinery which creates a harmful workplace environment. Other contaminants include formaldehyde from paints, glues, insulation, & radon from building materials.



OUR COMMERCIAL UNITS



BA-HRV-XX MODELS COME WITH:

- Ziehl ECM reverse curved fans. These fans are excellent for pressure applications that require ductwork. Airflow data at pressures up to 4" are available for the BA-HRV models.
- Cores are removable for cleaning, but we suggest using a filter system in dirty environments to keep the fans clean.
- Built-in mounting brackets on HRV make HRV suspension a breeze.
- Wall mounting kit is available for all BA-HRV sizes.
- Real-time temperature monitoring for defrost initiation. No dampers on defrost cycle. This reduces the amount of moving parts that need maintenance.

LCD TOUCHSCREEN REMOTE HMI CONTROL, MULTIPLE CONTROL MODES

- Timer mode (set time and speed and the unit will run for the duration)
- Humidity mode ■ Enter desired humidity setpoints, the unit will automatically adjust fan speed/turn fans on or off as needed to stay within the setpoint. Can also be set to shut the unit off if the room temperature cools off
- Constant mode ■ Enter speed and the unit will run continuously at a set speed
- CO detector input ■ If CO sensors are needed in the building – they can be wired into HRV to turn fans on when CO sensors call for it ■ Also have outputs to enable aux. air dampers or purge fans if HRV is not the only ventilation system in a room. This eliminates the need for a second control system to control the fans and air intake dampers
- Timer boost ■ Timed operation of a set speed, the unit will revert back to the previously selected mode when the time boost expires.
- Customizable control options available. We can make changes to your control as needed at the time of sale in order to adapt to custom applications.
- Digital fan airflow balancing option.
- We can password-protect the HMI for you to prevent tampering.



PRODUCT INFORMATION



BA-HRV-50

MODEL NO.	CASING	FANS	SHIPPING WEIGHT	POWER SPECS
BA-HRV-50	Length: 65.5" Height: 53.5" Width: 41.5" Galvanized Steel Construction Fully Insulated	Intake: 28 in Rated at 4939 cfm Exhaust: 28 in Rated at 5073 cfm	770 lbs	208V 3ph 13.2 amps

BA-HRV-40

MODEL NO.	CASING	FANS	SHIPPING WEIGHT	POWER SPECS
BA-HRV-40	Length: 65.5" Height: 53.5" Width: 29.5" Galvanized Steel Construction Fully Insulated	Intake: 24 in Rated at 4016 cfm Exhaust: 24 in Rated at 3994 cfm	600 lbs	208V 3ph 17.5 amps

BA-HRV-35

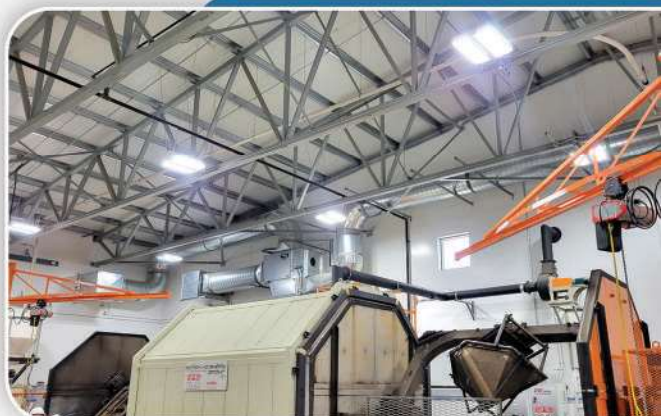
MODEL NO.	CASING	FANS	SHIPPING WEIGHT	POWER SPECS
BA-HRV-35	Length: 65.5" Height: 53.5" Width: 29.5" Galvanized Steel Construction Fully Insulated	Intake: 24 in Rated at 3478 cfm Exhaust: 24 in Rated at 3547 cfm	600 lbs	208V 3ph 12.5 amps

BA-HRV-20

MODEL NO.	CASING	FANS	SHIPPING WEIGHT	POWER SPECS
BA-HRV-20	Length: 58.25" Height: 42" Width: 31.75" Galvanized Steel Construction Fully Insulated	Intake: 16 in Rated at 2230 cfm Exhaust: 16 in Rated at 2330 cfm	375 lbs	230V 1ph 5.2 amps

PRODUCT IMAGES

Better AIR





GET IN TOUCH

204-252-2333



info@betterair.ca



www.betterair.ca



PO Box 490, MacGregor, MB
Canada, R0H 0R0