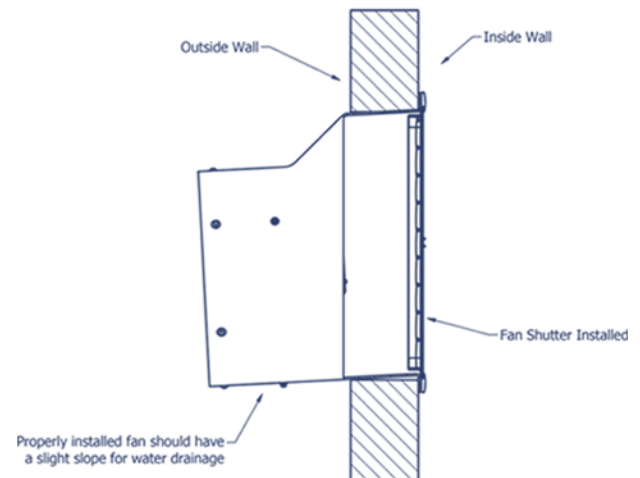
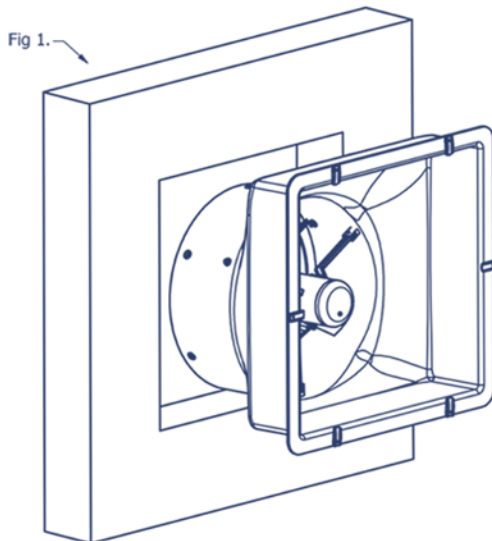




Standard Wall Fan Exhaust Fan Installation Procedure

Applies to all Better Air Wall Fan Exhaust Fans (Model shown LPF-240)

1. Ensure you have the correct RSO (Rough square opening) for your fan model, RSO dimensions can be found on our website as well as our catalog and other literature. Incorrect RSO sizing can result in a warped flange which can affect the performance of the fan as well as other accessories like the fan shutter and winter cover.
2. Place the fan into the wall opening and ensure that it fits flat against the inside wall, that there is no debris or other obstructions against the inside wall. You have the choice of using caulking along with your preferred fasteners to fasten the fan against the inside wall. Use the outer edge of the fan flange for screw placement as this placement does not interfere with shutter fit, see Fig 2.
3. Wire fan according to local code, wiring diagram can be found on the motor label, also refer to motor label for correct voltage, amp draw and phase information for your fan model.
4. Use your preferred method of sealing, insulating and finishing around the fan on the outside wall.



Recommended Maintenance

- Check condition of all switches, connectors and wires
- Check High stress points like fan blades and motor mount arms for cracks, deformities and other potential hazards, be sure to check if blade is making contact with the housing before starting the fan
- Check the condition of bearings, shafts and belts on belt drive models. Better Air only recommends greasing the bearings for belt drive models no more than annually, as over-greasing can lead to damage.

