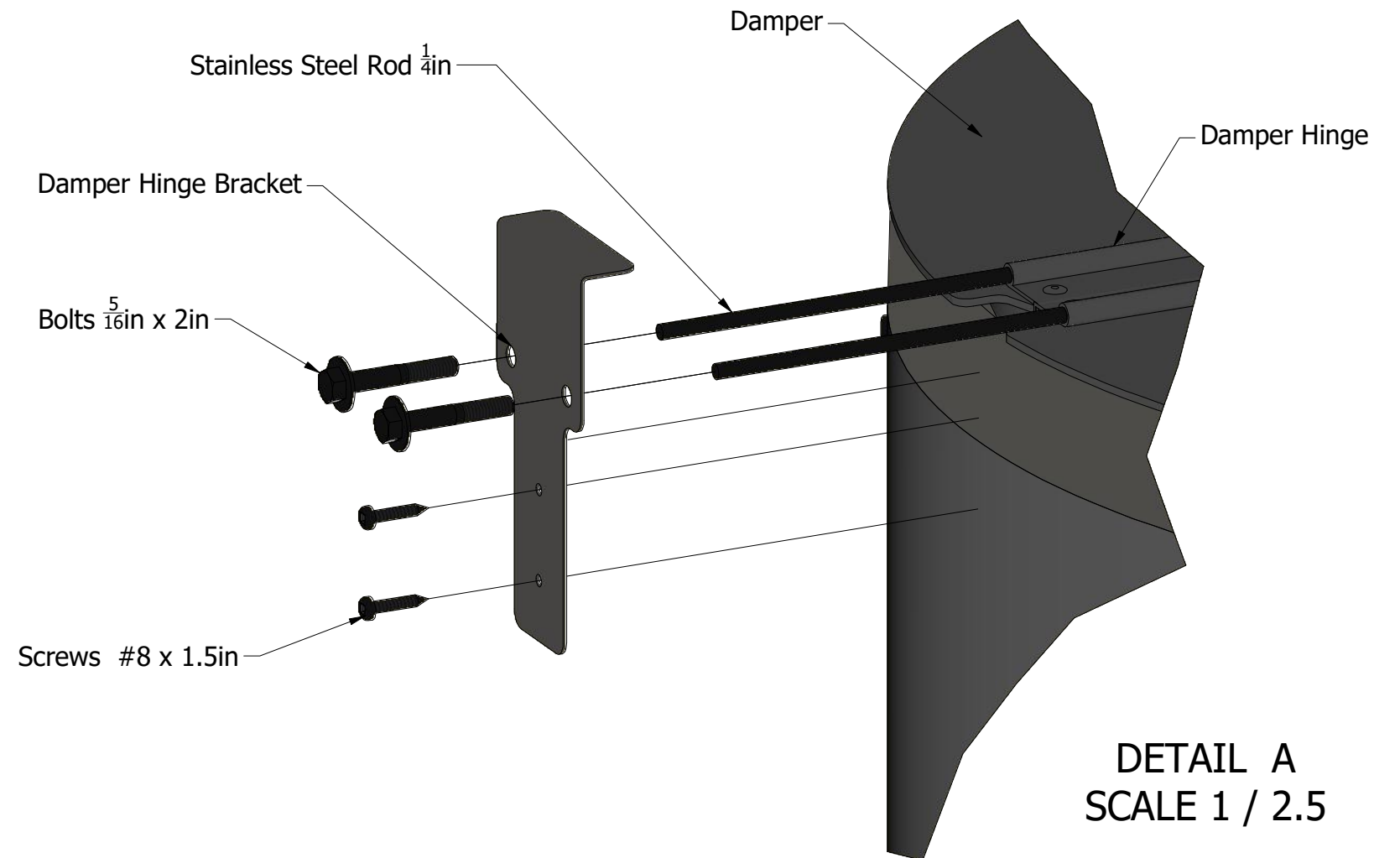
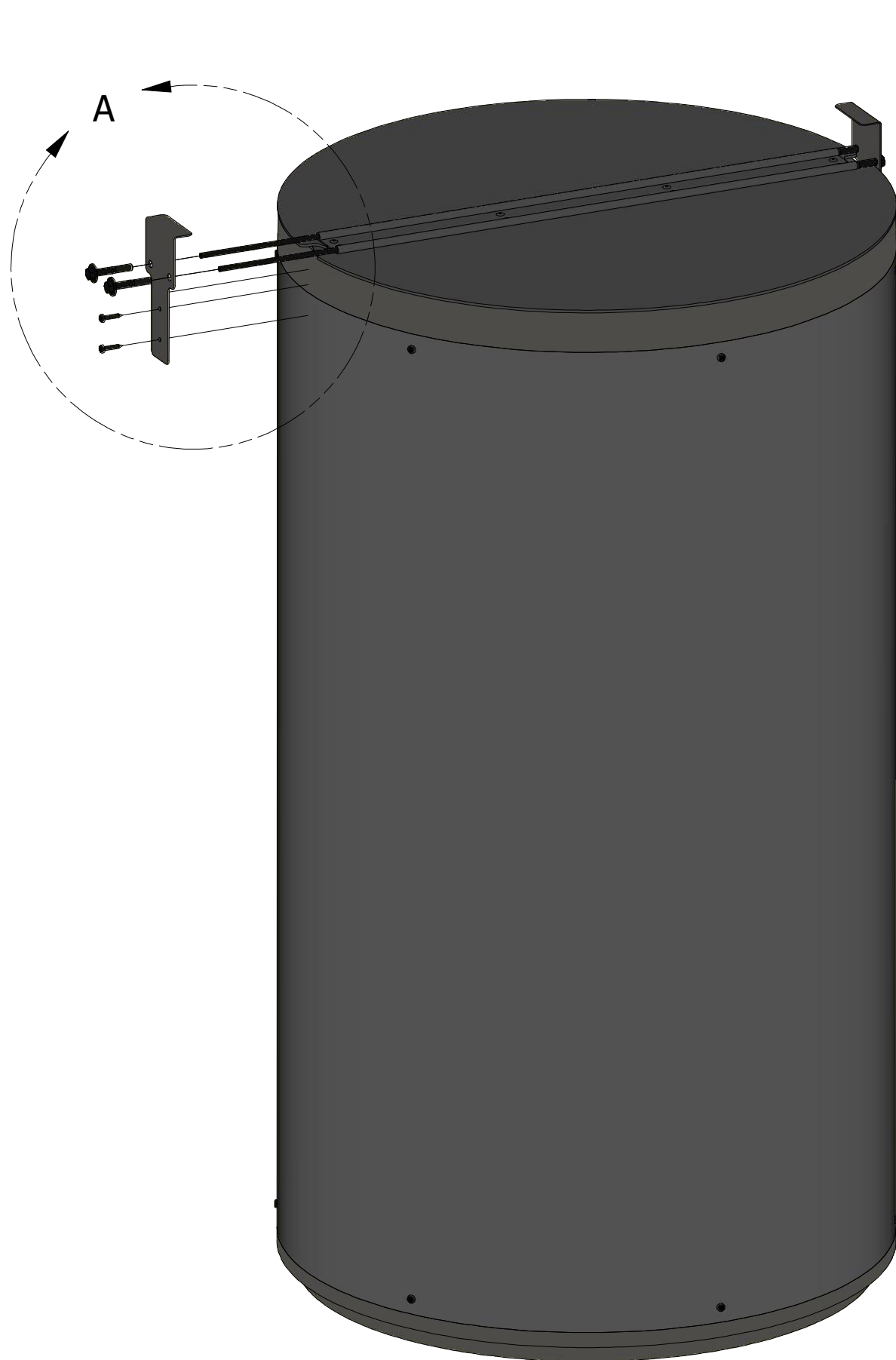


Rain Damper Installation Instructions



Installation Instructions

1. Center damper on top of chimney tube so that the damper hinge faces up. The damper should be flush on the lip of the chimney top.
2. Insert $\frac{1}{4}$ in stainless steel rods into the hinge.
3. Fasten damper hinge bracket with (2) $\frac{5}{16}$ in x 2in bolts. Repeat for opposite side.
4. Tighten bolts so that there is about $\frac{1}{16}$ in of free play on both sides of the hinge bracket. Do NOT over tighten or plastic hinge will break.
5. Fasten bracket on chimney with (2) screws per bracket.

DRAWN Matthew	5/01/19		MacGregor, MB, Canada Box 490, ROH 0R0 Ph. (204) 252-2333 Fax (204) 252-2928 www.betterair.ca	
CHECKED			DESCRIPTION	
QA		BA-100357 Chimney Fan Rain Damper Installation PART NO. _____ SCALE NTS MATERIAL _____ SHEET 1 OF 1		
MFG				
APPROVED				
DIMENSION	inch [mm]			
STOCK NO.				
THICKNESS				REV A

PROPRIETARY AND CONFIDENTIAL
 THE INFORMATION CONTAINED IN THIS DOCUMENT IS PROPRIETARY TO BETTER AIR MFG AND IS NOT TO BE COPIED OR TRANSFERRED WITHOUT THE WRITTEN PERMISSION OF BETTER AIR MFG