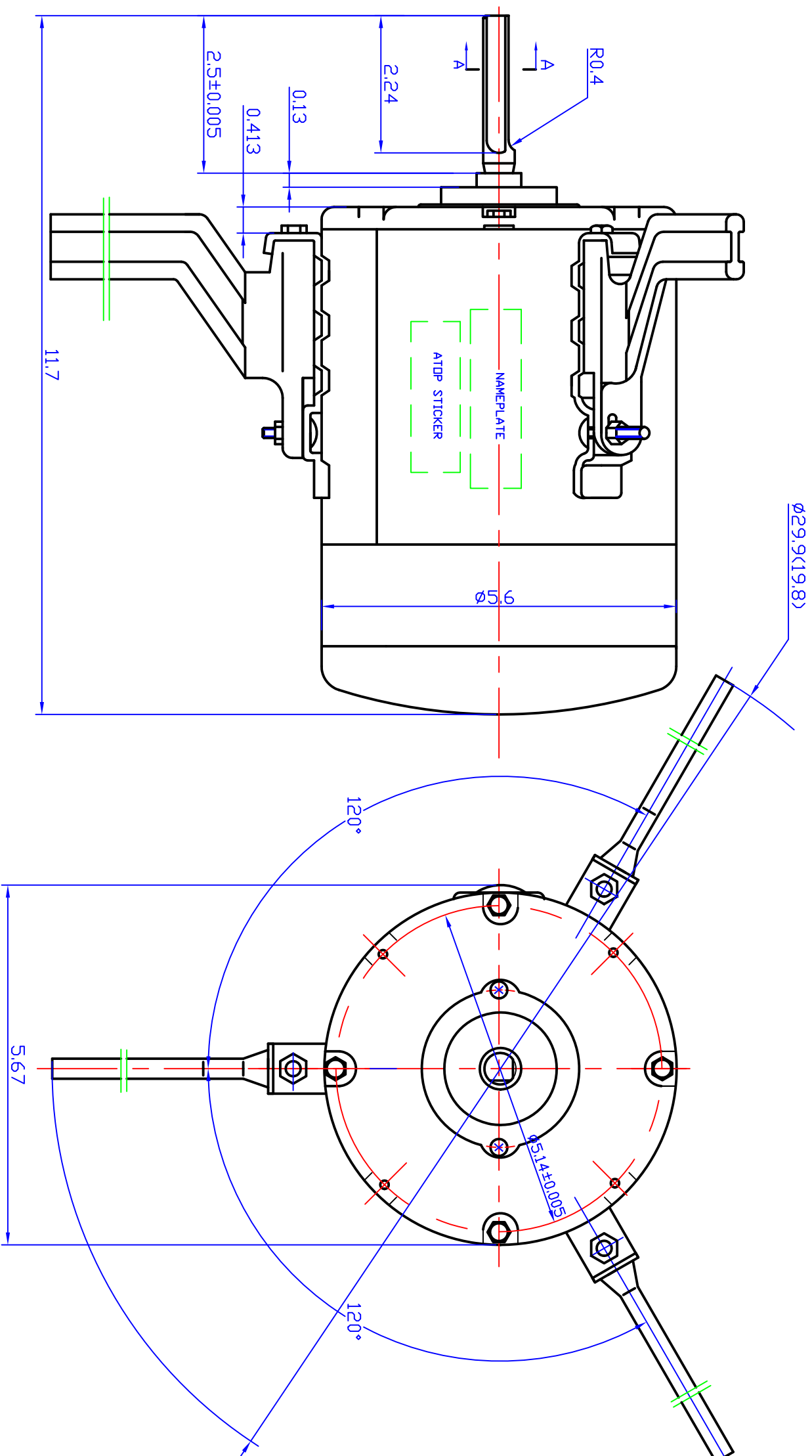
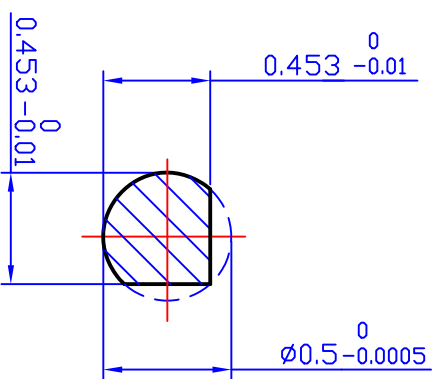


A-A



IND#	REF. NO.	FRAME	PH	HZ	HP	RPM	VOLTS	THERMALLY PROTECTED	S.F.	ENCL.
H906	H334DA4AA05	48YZ	1	60	1/3	1625	115/230	AUTD	1.0	TEAD

<b>Vent-Plus<sup>®</sup></b>		<b>Better</b>		<b>High Performance Fan Motor</b>		<b>AG-1</b>	
IND#	H906	REF. NO.	H334DA4AA05	V	115	V	230
HP	1/3	TEAO	1625	FLA	3.6	FLA	1.8
HZ	60	RPM	1625	SFA		SFA	
PH	1	MEG69RX	CONT.	DES.	N	DES.	N
FRAME	48YZ	DUTY	MAX. AMB. °C	40	S.F.	1.0	
TYPE	H	INS. CLASS	F	CODE	A		
DATE							

AG-1 MotorTec Inc., East Carairaxa, ON, Canada L9W 7L8

DR BY: Xiaoli Ma

APPD:

EDS DATE: 7.15.2024

VERSION:

DESCRIPTION: H906 OUTLINE drawing

AG-1 MOTORTEC INC.,

SIZE: A3

DWG NO:

SCALE: 1:2

SHEET:

CONFIDENTIAL PROPERTY OF GW ELECTRIC (SHANGHAI) CORPORATION AND ARE NOT TO BE DISCLOSED, DUPLICATED, OR OTHERWISE USED WITHOUT THE WRITTEN CONSENT OF GW ELECTRIC (SHANGHAI) CORPORATION, OR ITS AGENT, AG-1 MOTORTEC INC.

- ALL RIGHTS RESERVED

REV	ECO	REV BY	DATE	APPD	DATE