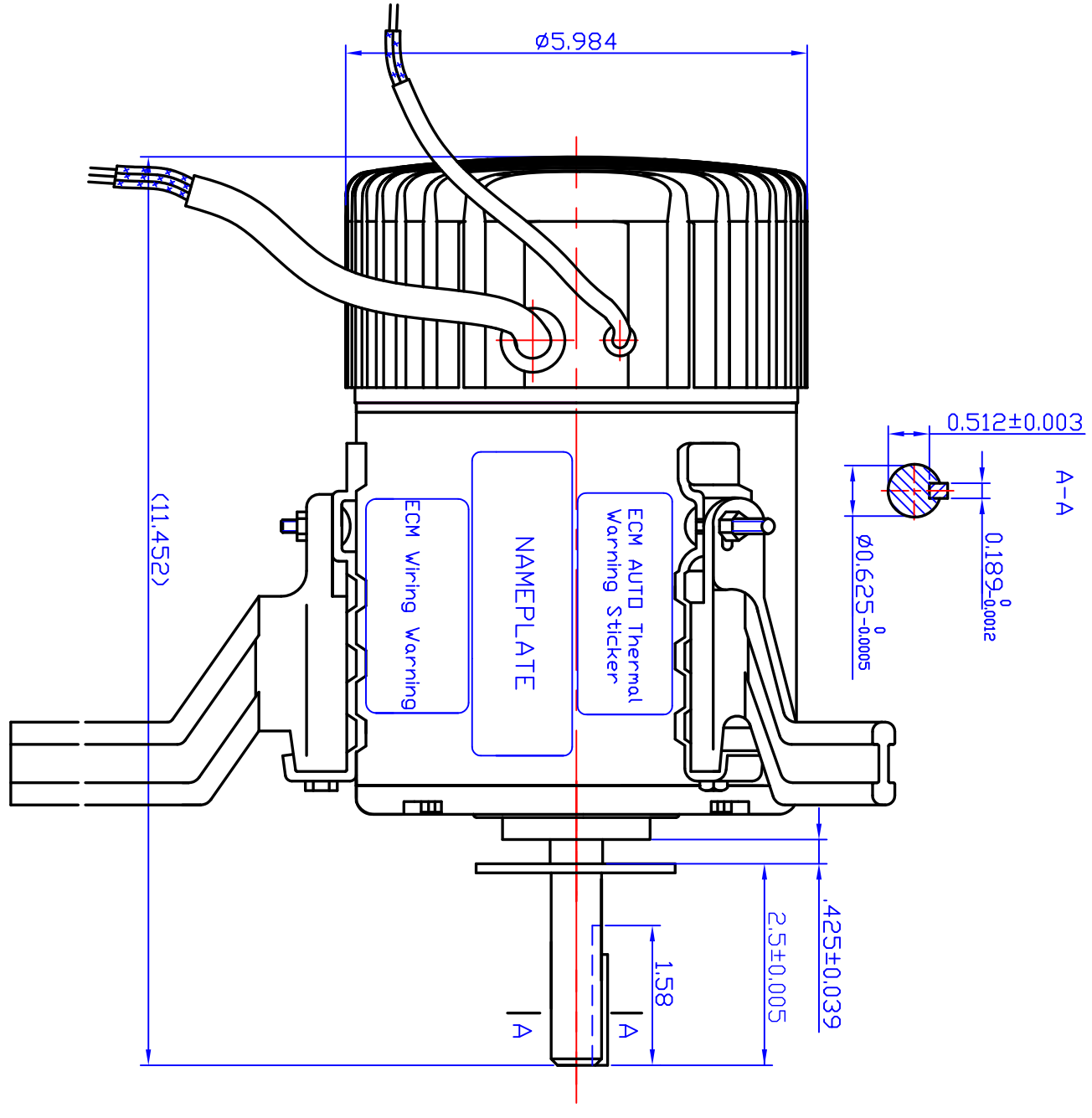
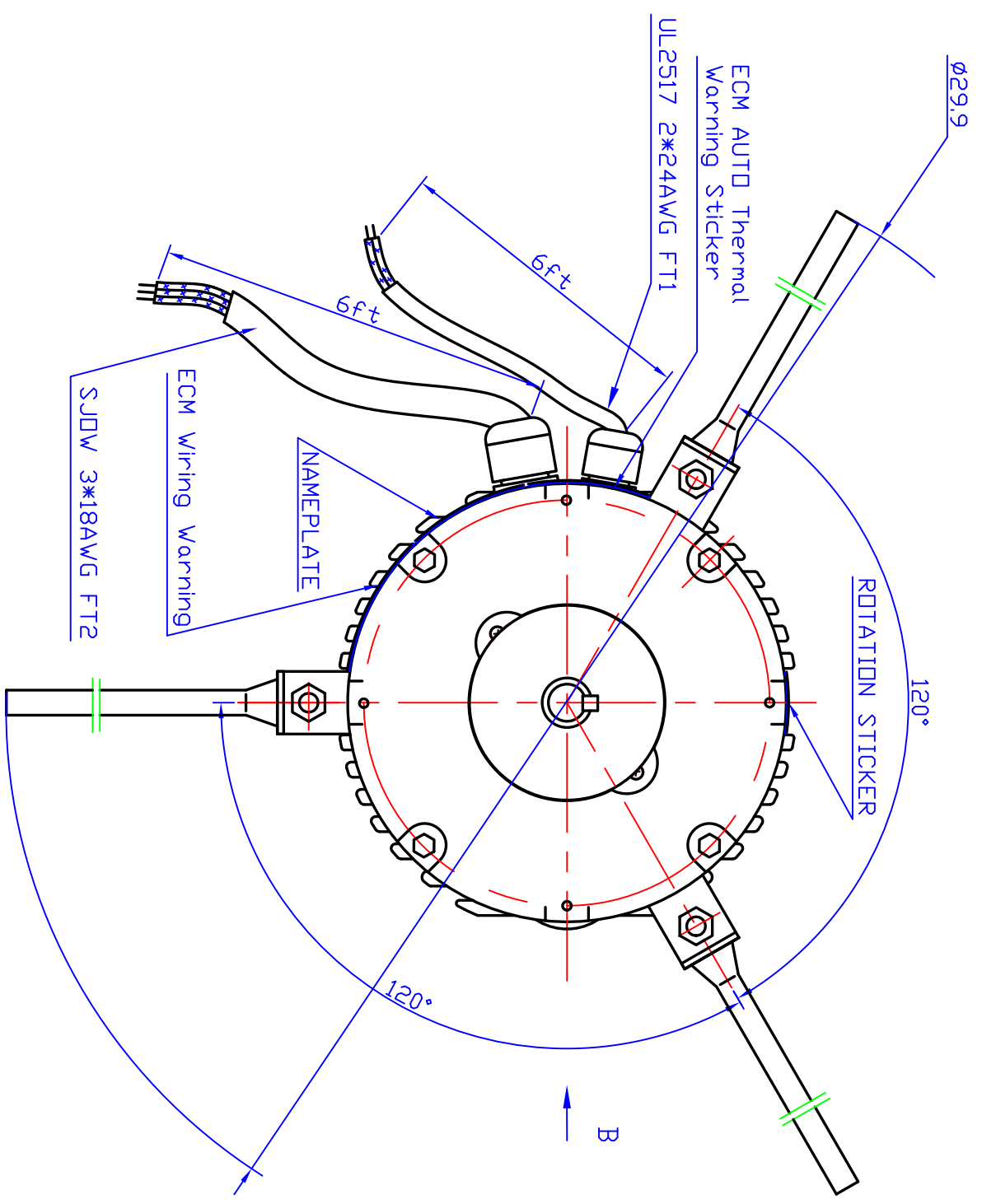
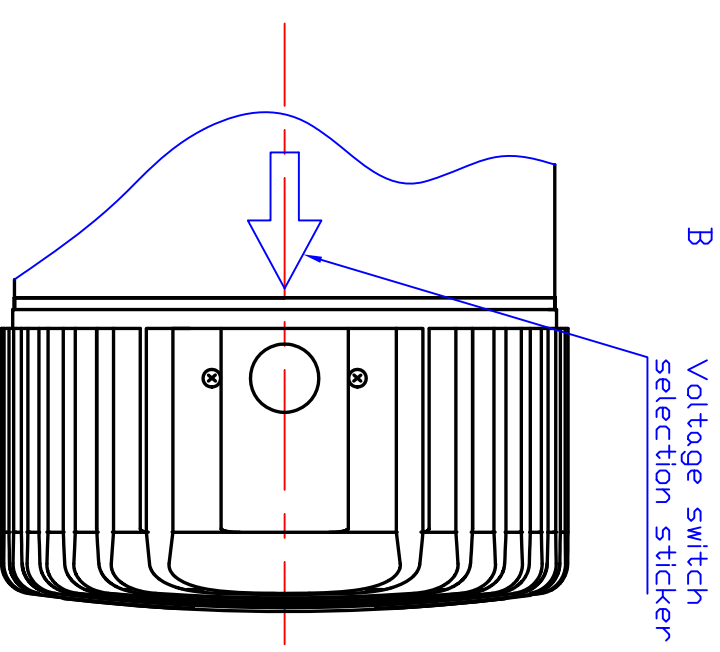


REV	ECO	REV BY	DATE	APPD	DATE




Model Number	W	VOLTS	FRAME	Hz	RPM	Rotation CW facing shaft
ECN48B34CN/EC10V-A	550	115/208-230	48Y	50/60	400-1200	



DR BY: \_\_\_\_\_

APPD: \_\_\_\_\_

FIRST ANGLE PROJECTION  EDS DATE \_\_\_\_\_ VERSION \_\_\_\_\_

DESCRIPTION: **AG-I** DUTLINE1

AG-I MOTORTEC INC.,

CONFIDENTIAL PROPERTY OF GW ELECTRIC (SHANGHAI) CORPORATION AND ARE NOT TO BE DISCLOSED, DUPLICATED, OR OTHERWISE USED WITHOUT THE WRITTEN CONSENT OF GW ELECTRIC (SHANGHAI) CORPORATION, OR ITS AGENT, AG-I MOTORTEC INC.

SCALE 1:2

SHEET \_\_\_\_\_