

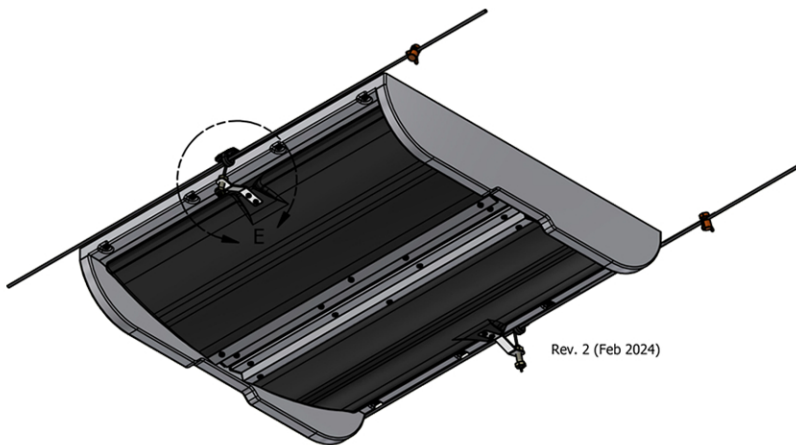


## Mechanical Kit Installation Procedure - MK0-1327

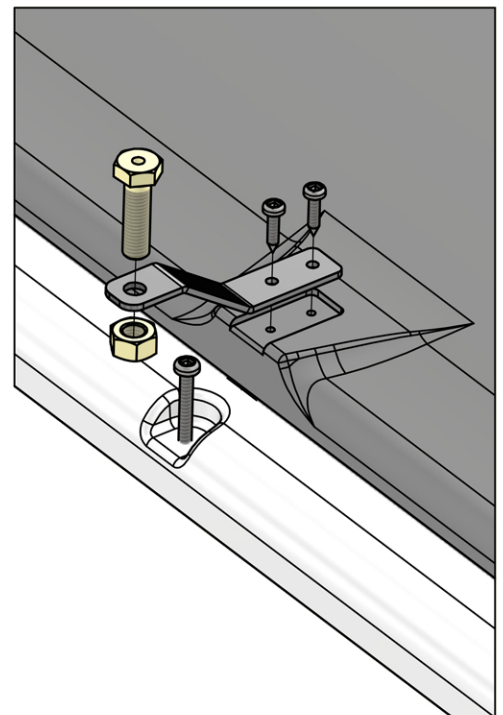
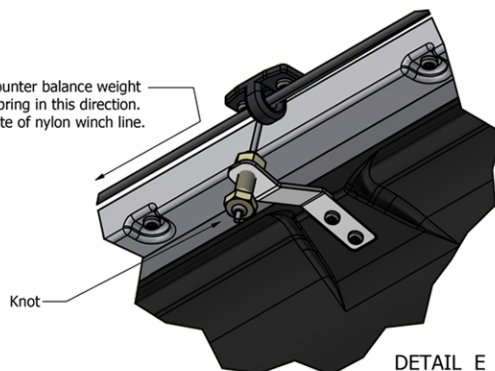
(DF-2610) Winched Inlet shown.

Installation Procedure:

1. Fasten winch line bracket on inlet lid using (2) #8 x  $\frac{3}{4}$ " screws.
2. With bracket attached install nylon bolt into threaded hole as shown in diagram with nylon jam nut on the other side. Bolt allows up to  $\frac{3}{4}$ " of fine tuning adjustment once winch line is installed.
3. Fasten inlet to the ceiling with (6) #10 x 1  $\frac{1}{2}$ " SS screws provided. The inlet must be fastened squarely to ensure door opens freely.
4. Using (2) #10 x 1  $\frac{1}{2}$ " SS screws, fasten the inlet block to the ceiling at the centre point of the inlet.
5. Tie a knot in one end of the 38" nylon line, feed the other end first through the nylon bolt. Feed line through the winch block in the opposite direction of where the PVC counter balance weight is located.
4. Attach the nylon line to the main pull line using a nylon thumb nut. Place the SS cable into the slotted portion of the thumb nut first, followed by the nylon. This will help to ensure a firm grip. (Locate the thumb nut 30" from the centre of the inlet ensuring it cannot reach the inlet block when the door is in the fully open position.



PVC counter balance weight  
or spring in this direction.  
Opposite of nylon winch line.



DETAIL E  
SCALE .5

204-252-2333 [www.betterair.ca](http://www.betterair.ca)