



GC1140

Gravity Ceiling 360 Degree Airflow Inlet

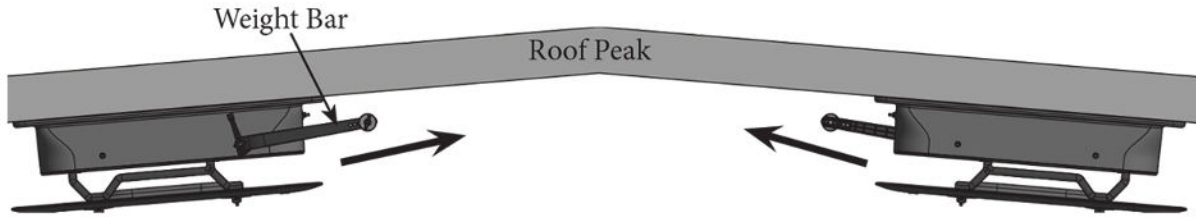
INSTALLATION INSTRUCTIONS

Please read instructions before attempting to install inlet

US Patent No.: 9,445,574



GC1140 Inlet Alignment



When installing inlets on a ceiling that has a slope it is important that inlet is installed so that weight bar points towards the roof peak. Failure to do so will reduce the performance of the inlet.

Winch Line Setup (Shut-Off)

Recommended winch line setup for inlet shut-off. It is recommended that cables attaching to the actuator cable be at a 90 degree angle, as pictured below.

INCORRECT

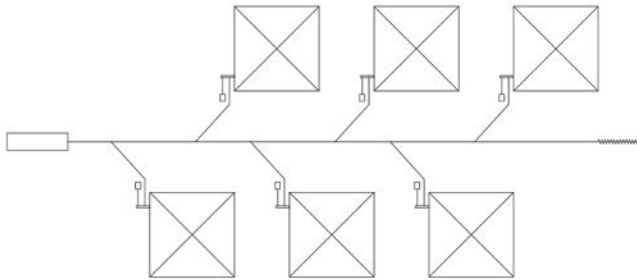


Cannot pull at an angle

CORRECT



Line must pull straight



Warranty

Manufacturer warrants each new Inlet manufactured to be free from defects in material or workmanship for one year from and after the date of initial installation by or for the original purchaser. If such a defect is found by the Manufacturer to exist within the one-year period, the Manufacturer will, at its option repair or replace such product free of charge, F.O.B. manufacturer. Labor costs associated with the replacement or repair of the product are not covered by the Manufacturer.

Conditions and Limitations:

1. The product must be installed and operated in accordance with the instructions provided or Warranty will be void.
2. Warranty is void if all components of the system are not original equipment supplied by the Manufacturer.
3. Malfunctions or failure resulting from misuse, abuse, negligence, alteration, accident, or lack of proper maintenance shall not be considered defects under the warranty.

4. This Warranty applies only to systems for poultry and swine. Other applications in industry or commerce are not covered by this Warranty.

The Manufacturer shall not be liable for a Consequential or Special Damage which any purchaser may suffer or claim to suffer as a result of any defect in the product. "Consequential" or "Special Damages" as used herein include, but are not limited to, lost or damaged products or goods, costs of transportation, lost sales, lost orders, lost income, increased overhead, labor and incidental costs and operational inefficiencies.

THIS WARRANTY CONSTITUTES THE MANUFACTURER'S ENTIRE AND SOLE WARRANTY AND THIS MANUFACTURER EXPRESSLY DISCLAIMS ANY AND ALL OTHER WARRANTIES, INCLUDING, BUT NOT LIMITED TO, EXPRESS AND IMPLIED WARRANTIES AS TO MERCHANTABILITY, FITNESS FOR PARTICULAR PURPOSES SOLD AND DESCRIPTION OR QUALITY OF THE PRODUCT FURNISHED HEREUNDER.

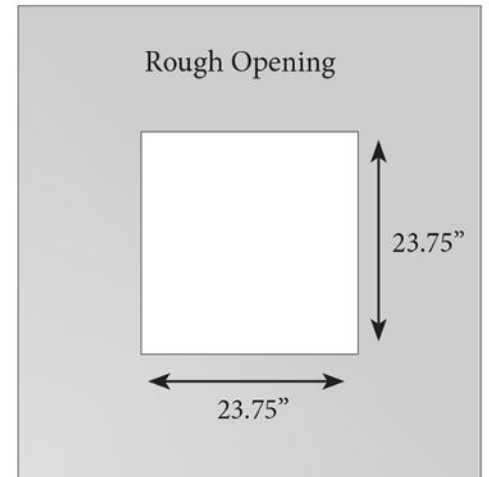
No one is authorized to modify or extend the terms and conditions of the Warranty in any manner or to offer or grant any other warranties for products in addition to those terms expressly stated above. The Manufacturer reserves the right to change models and specifications at any time without notice or obligation to improve previous models.



Pre-Installation Preparation

Pre-installation Inspection:

- Inspect inlet condition for breaks and deformed parts
- Rough opening in ceiling (23.75" x 23.75")
- Mounting surface should be flat
- No need to cut ceiling straps
- Ensure that no debris is hanging out of rough opening hole that can interfere with inlet mechanism



Installation Tools

The following tools may be required depending upon your particular installation. They are not included.

- Power Drill
- Ladder
- (8) 2" x #8 Wood Screws and Washers per Inlet
- Protective Eyewear
- Caulk Gun
- Caulking
- Tape Measure
- Pencil

Parts List (GC1140 Kit)

Kit contains the following parts:





Installation

Step 1: (Remove Lid Pins)



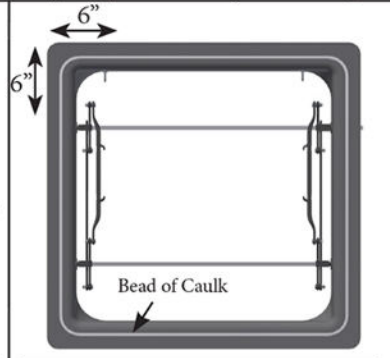
Remove Lid Pins by lifting on center pin until tab comes out of hole on lid. Then pull the pin sideways so that it bends enough to be freed.

Step 2: (Remove Lid)



Once pins are removed, lift off lid and place in safe location.

Step 3: (Caulk Top Of Inlet)



Place a bead of caulk around top side of inlet. Using 2" wood screws with a washer fasten inlet to ceiling. 8 screws placed 3/4" from outside edge.

Step 4: (Fasten Screws)



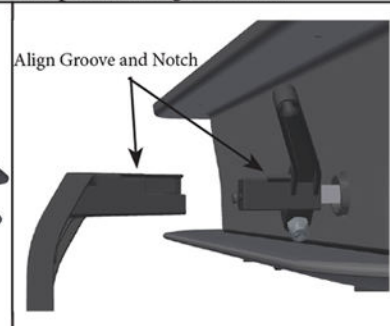
Fasten inlet to ceiling.

Step 5: (Install Lid to Inlet)



Install bottom lid to inlet.

Step 6: (Weight Arm)



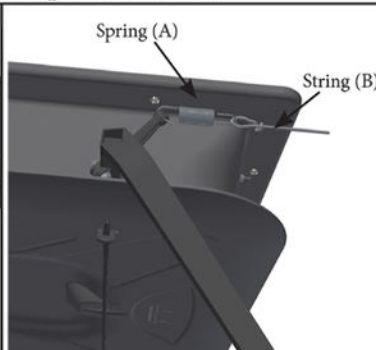
Align notch and groove on weight arm and push till it snap locks in place.

Step 7: (Weight)



Place 2.5" bolt through third last hole on weight bar. Then slide on 2" weight and tighten it with 1/4" wing nut. Adjust weight location as needed.

Step 8: (Shut-off)



Attach Spring(A) on winch arm as shown with String(B) tied to Spring(A). Always pull string parrallel with inlet.