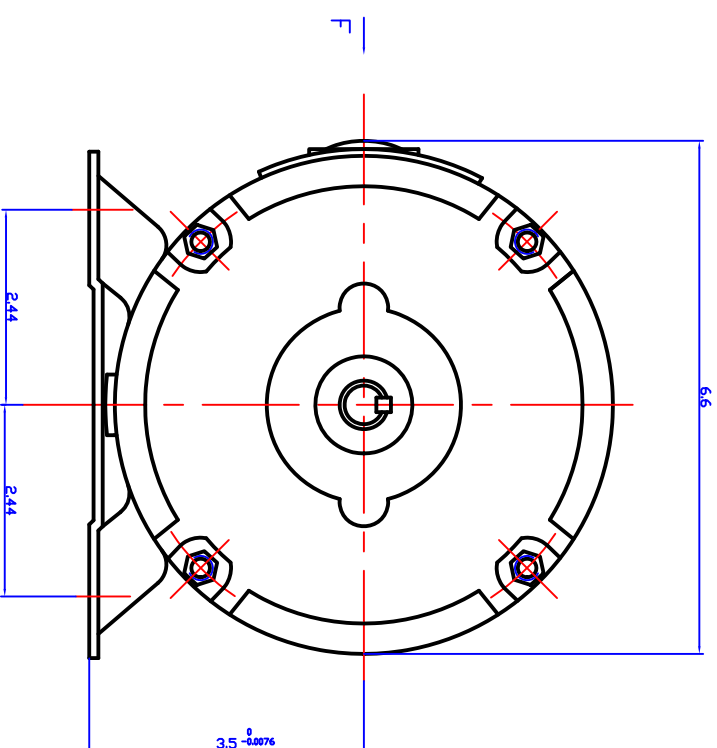
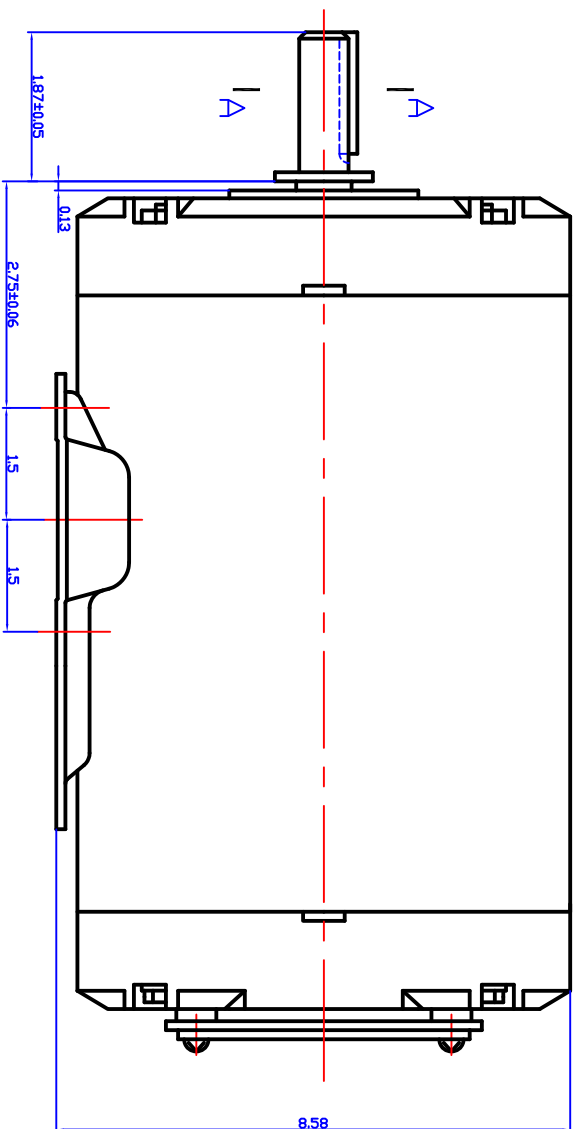
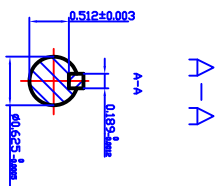
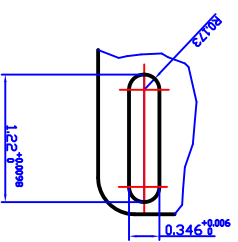
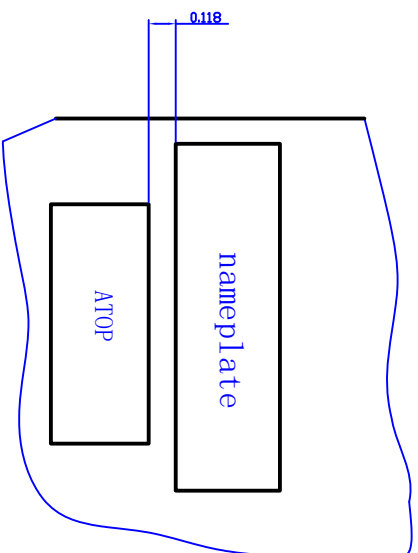


REV	ECO	REV BY	DATE	APPD	DATE



F direction

B direction



REF. NO.	IND#	HP	VOLT	HZ	POLE	FRAME	ENCLOSURE	thermal protector
	TC03A	1.5	575	60	4P	S6	TENV	AUTO
	TU03A	1.5	230/460	60	4P	S6	TENV	AUTO

DR BY: Candy

APPD:



AG-1 MOTORTEC INC.,

FIRST ANGLE PROJECTION



EDS DATE 12/21/2022  
VERSION

DESCRIPTION

OUTLINE OF TC03A & TU03A

SIZE A3 DWG NO

CONFIDENTIAL PROPERTY OF GW ELECTRIC (SHANGHAI) CORPORATION AND ARE NOT TO BE DISCLOSED, DUPLICATED, OR OTHERWISE USED WITHOUT THE WRITTEN CONSENT OF GW ELECTRIC (SHANGHAI) CORPORATION, OR ITS AGENT, AG-1 MOTORTEC INC.  
- ALL RIGHTS RESERVED

SCALE 1:1.5

SHEET