

4

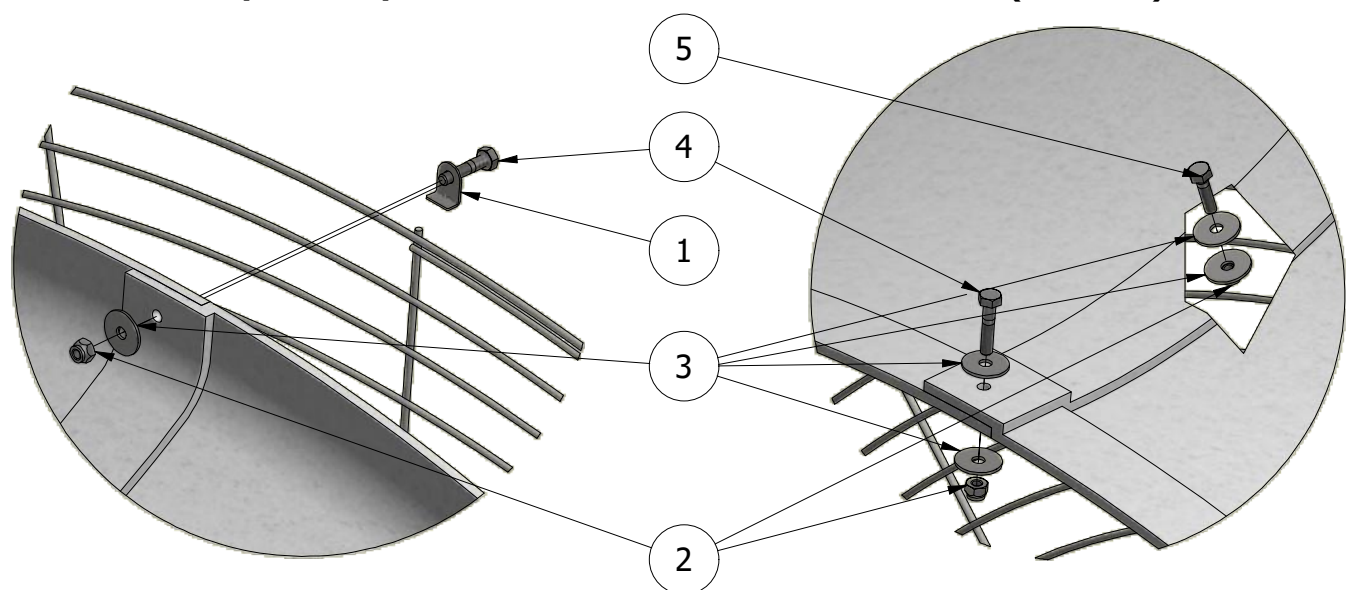
3

2

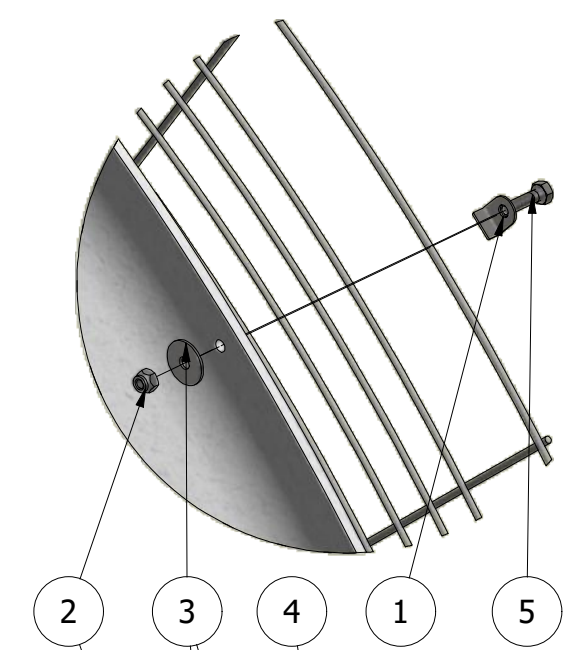
1

DETAIL A
(3 Sets)

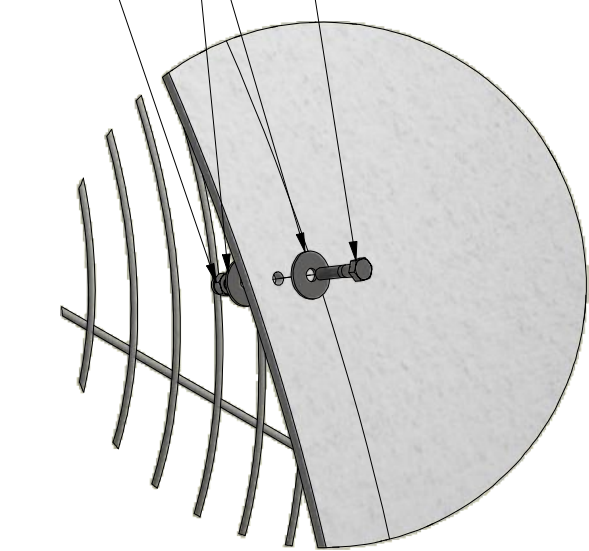
DETAIL B
(3 Sets)



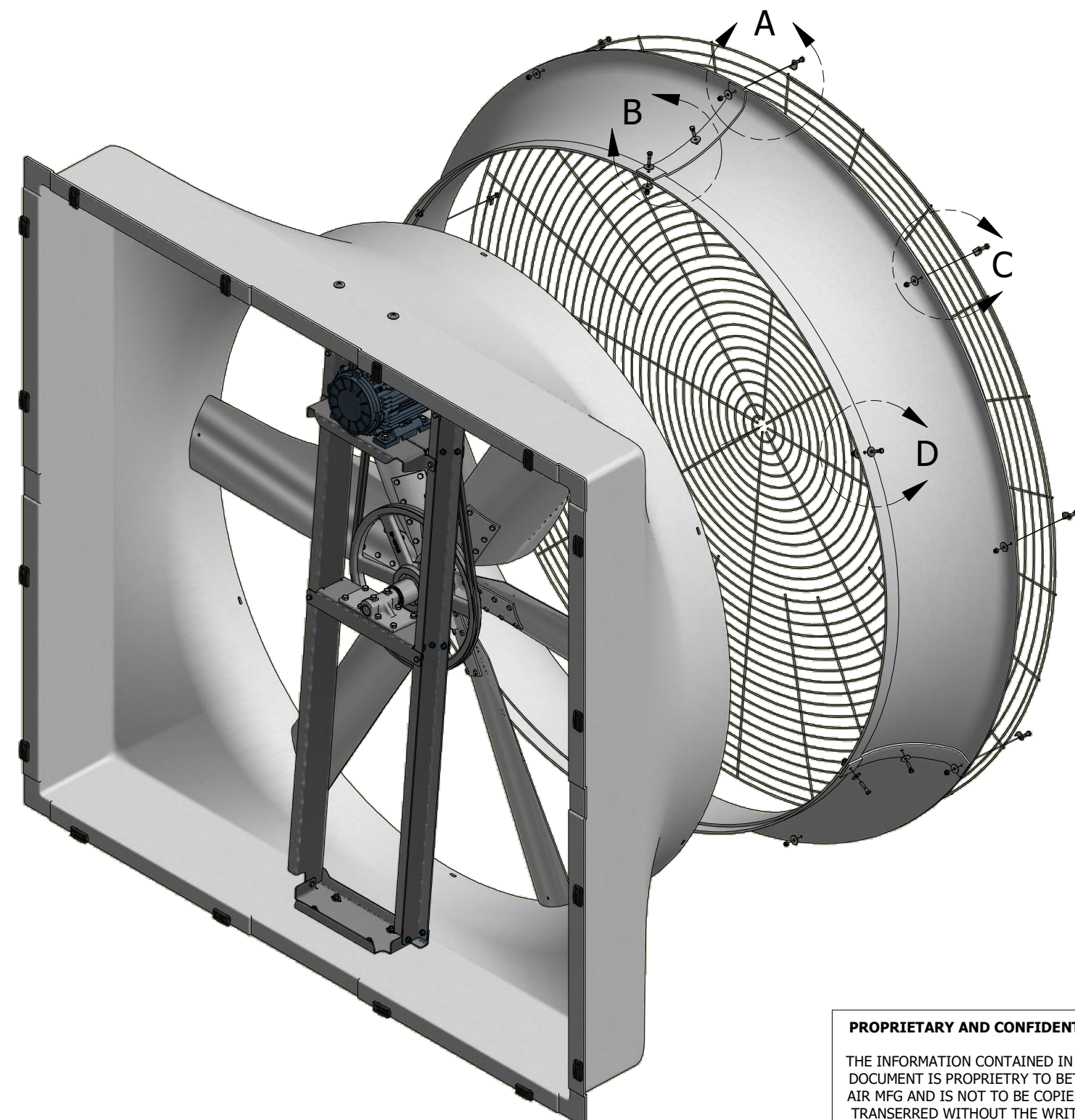
PARTS LIST				
ITEM	QTY	PART NUMBER	DESCRIPTION	
1	9	BA-103463	Guard Wire Clip	
2	18	BA-100134	Hex Lock Nut_1/4 - 20 Top Insert Type_Stainless Steel	
3	25	BA-100149	Plain Washer_1/4 - wide - Type B_Stainless Steel	
4	7	BA-100035	Hex Bolt_1/4-20 UNC - 1.25_Stainless Steel	
5	9	BA-100034	Hex Bolt_1/4-20 UNC - 1_Stainless Steel	



DETAIL C
(6 Sets)



DETAIL D
(3 Sets)



PROPRIETARY AND CONFIDENTIAL
 THE INFORMATION CONTAINED IN THIS DOCUMENT IS PROPRIETARY TO BETTER AIR MFG AND IS NOT TO BE COPIED OR TRANSFERRED WITHOUT THE WRITTEN PERMISSION OF BETTER AIR MFG

DRAWN	MW	4/11/19		MacGregor, MB, Canada Box 490, ROH 0R0 Ph. (204) 252-2333 Fax (204) 252-2928 www.betterair.ca	
CHECKED	QA			DESCRIPTION	
MFG	APPROVED		FW-72 Wall Fan 72in Fiberglass FRP White, Toptech 3HP 575V 60HZ 1PH, RSO 78in x 78in		
DIMENSION	DIMENSION	inch [mm]	PART NO.		REV
STOCK NO.			BA-102148		A
THICKNESS			SCALE	NTS	MATERIAL
					SHEET 1 OF 1

4

3

2

1