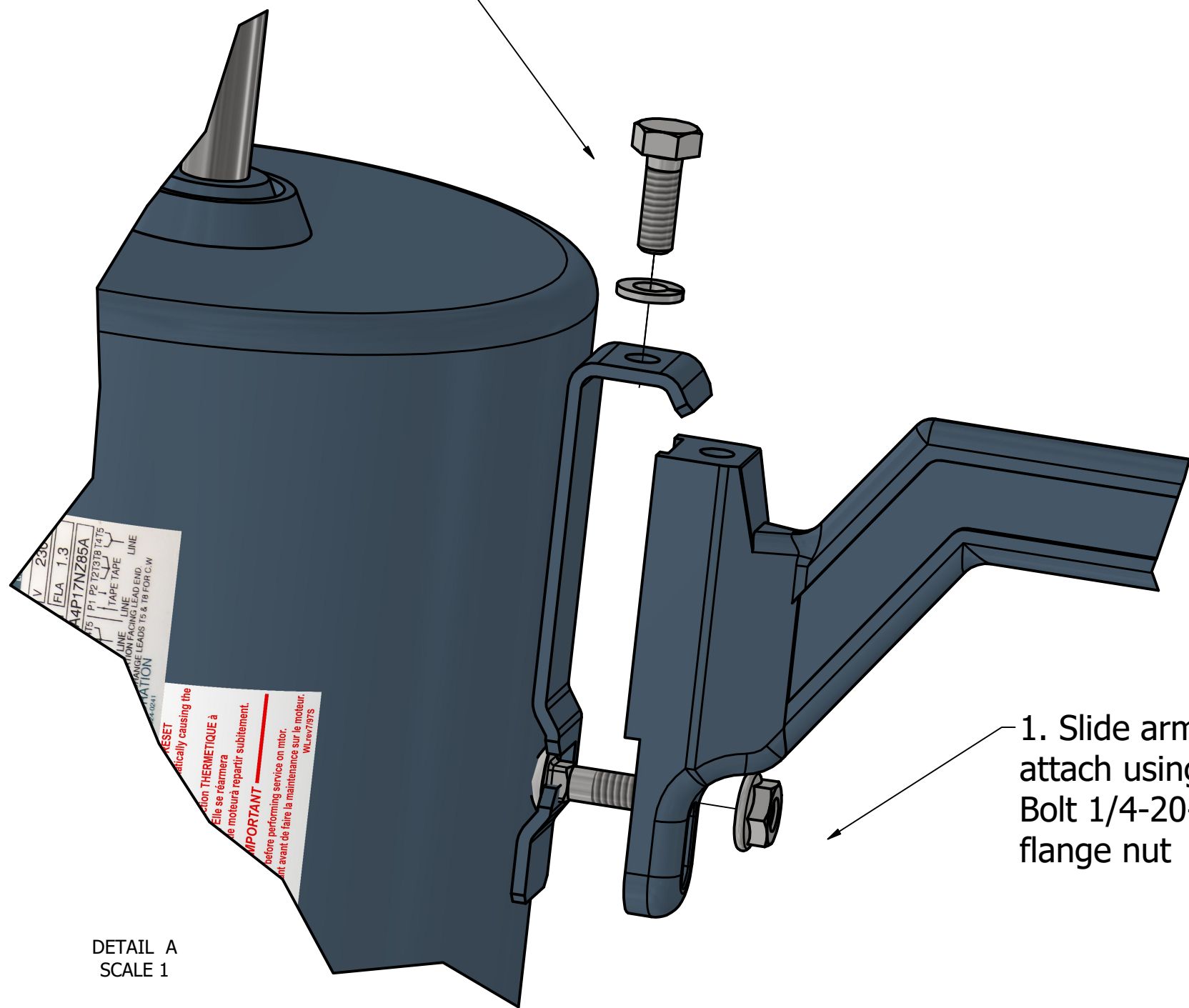


Motor Arm Installation

AGI Motors 10in-28in

2. Tighten provided 3/4x1/4-20 hex bolt and lock washer



DETAIL A
SCALE 1

1. Slide arm underneath motor mount bracket and attach using the provided Round Head Square Neck Bolt 1/4-20-0.75, and tighten using the provided 1/4 flange nut

