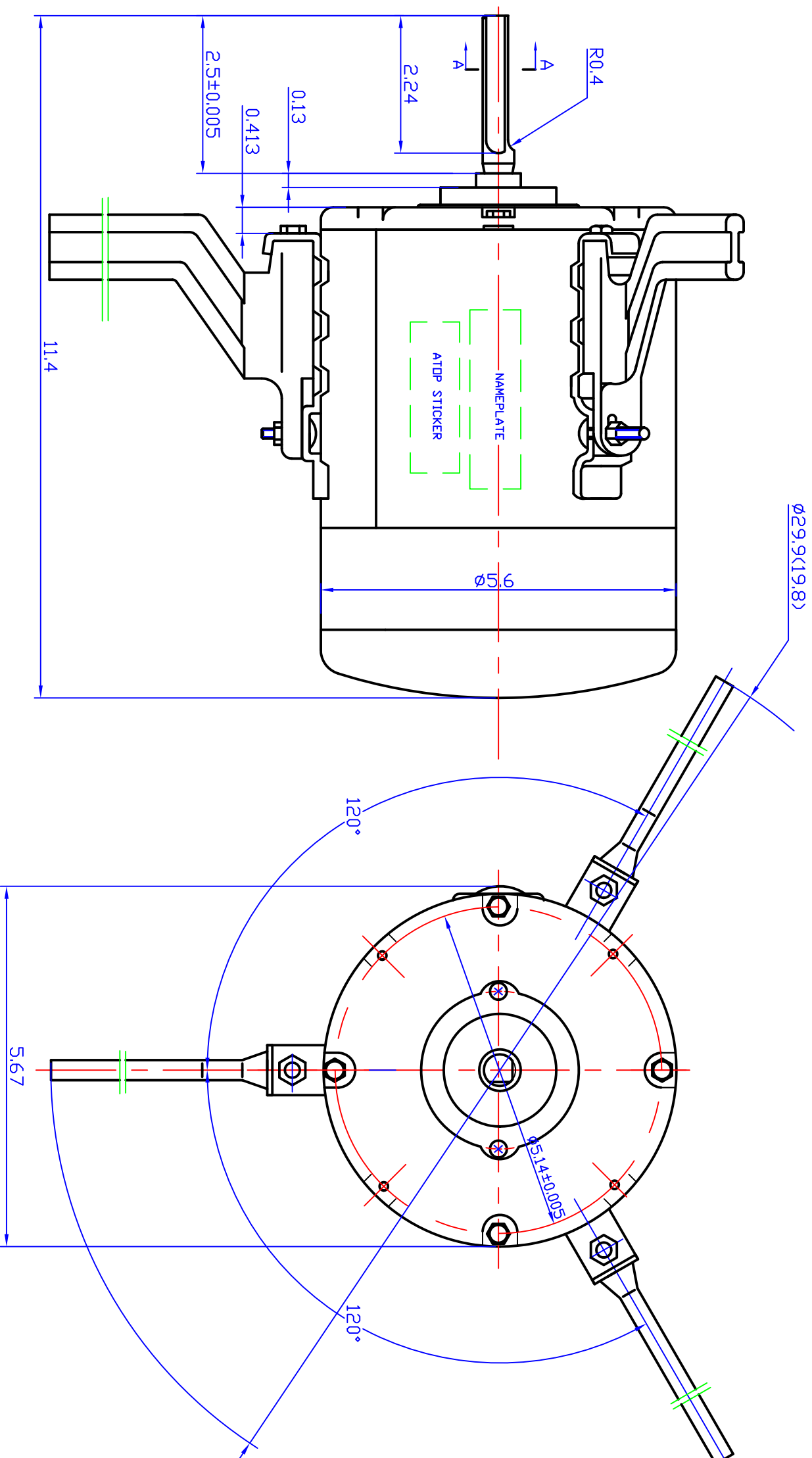
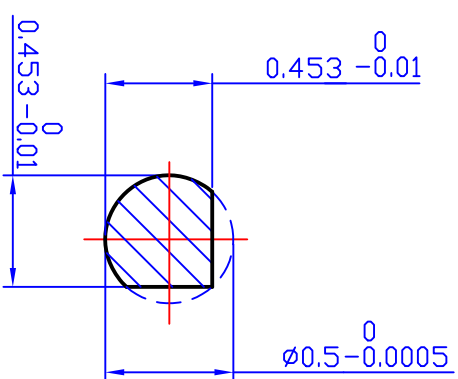


A-A



IND#	REF. NO.	FRAME	PH	HZ	HP	RPM	VOLTS	THERMALLY PROTECTED	S.F.	ENCL.
H905	H254DA4AA05	48YZ	1	60	1/4	1625	115/230	AUTD	1.0	TEAD

IND#	H905	REF. NO.	H254DA4AA05	High Performance Fan Motor	AG-1
HP	1/4	TEAD	1625	P.F.	98
HZ	60	RPM	MEG69RX	EFF%	68
PH	1	CONT.	DES.	N	
FRAME	48YZ	DUTY	S.F.	1.0	
TYPE	H	MAX. AMB. °C	40	CODE	A
DATE		INS. CLASS	F		

AG-1 Motor Tec Inc., East Garafaxa, ON, Canada L9W 7L8

DR BY:	Xioli Ma
APPD:	
FIRST ANGLE PROJECTION	EDS DATE 7.15.2024
	VERSION



AG-1 MOTORTEC INC.,

H905 OUTLINE drawing

DESCRIPTION

SIZE A3

SCALE 1:2

SHEET

CONFIDENTIAL PROPERTY OF GW ELECTRIC (SHANGHAI) CORPORATION AND ARE NOT TO BE DISCLOSED, DUPLICATED, OR OTHERWISE USED WITHOUT THE WRITTEN CONSENT OF GW ELECTRIC (SHANGHAI) CORPORATION, OR ITS AGENT, AG-1 MOTORTEC INC.

- ALL RIGHTS RESERVED

REV	ECO	REV BY	DATE	APPD	DATE