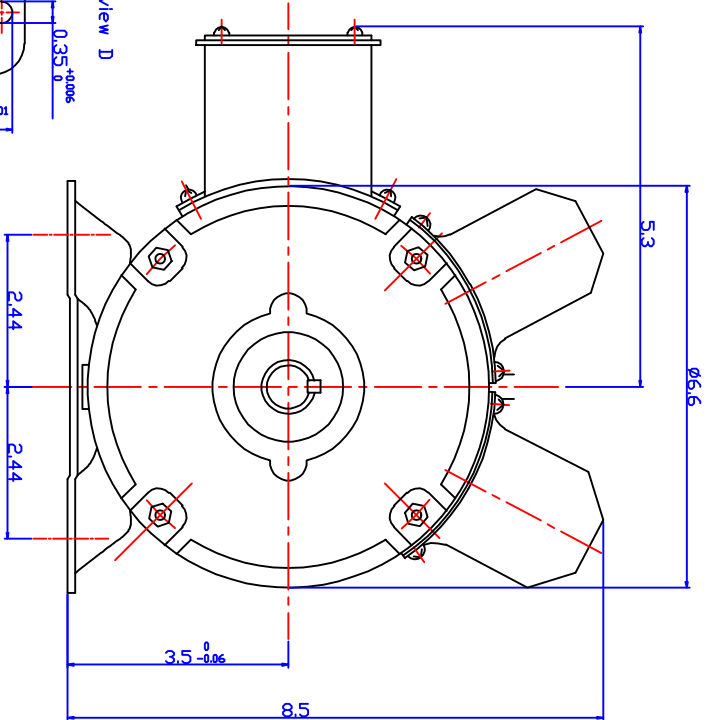
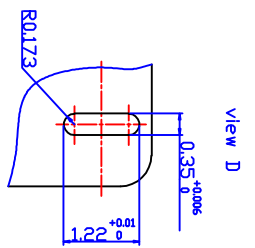
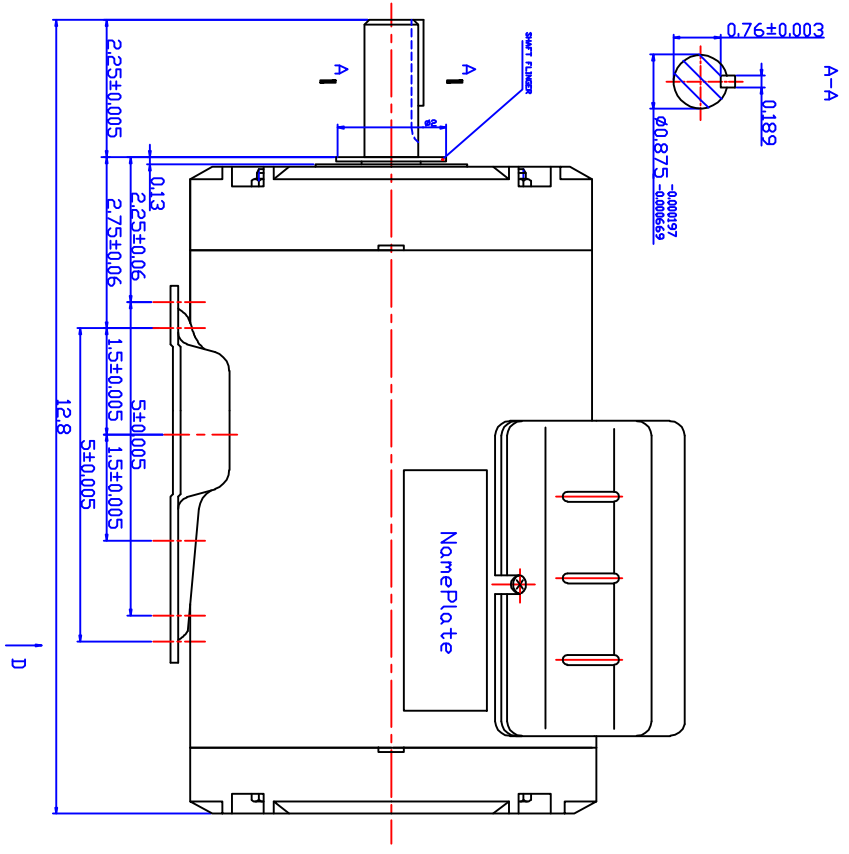


REV	ECO	REV BY	DATE	APPD	DATE



AGI INDR	FRAME	PH	HP	Hz	Volt	thermal protector	rotation
AS95	145T	1	2	60	230	CEJ38CY	CCWLE



AG-I MOTORTEC INC.,

AS95 OUTLINE DRAWING

DR BY:	EDS DATE	DESCRIPTION
APPD:	VERSION	AS95 OUTLINE DRAWING
<p>CONFIDENTIAL: THIS DRAWING AND ITS INFORMATION ARE THE EXCLUSIVE AND CONFIDENTIAL PROPERTY OF QW ELECTRICAL (SHANGHAI) CORPORATION AND ARE NOT TO BE DISCLOSED, DUPLICATED, DISTRIBUTED OR OTHERWISE USED WITHOUT THE WRITTEN CONSENT OF QW ELECTRICAL (SHANGHAI) CORPORATION.</p> <p>-ALL RIGHTS RESERVED.</p>		
SIZE	DWG NO	SHEET
A3		
SCALE		