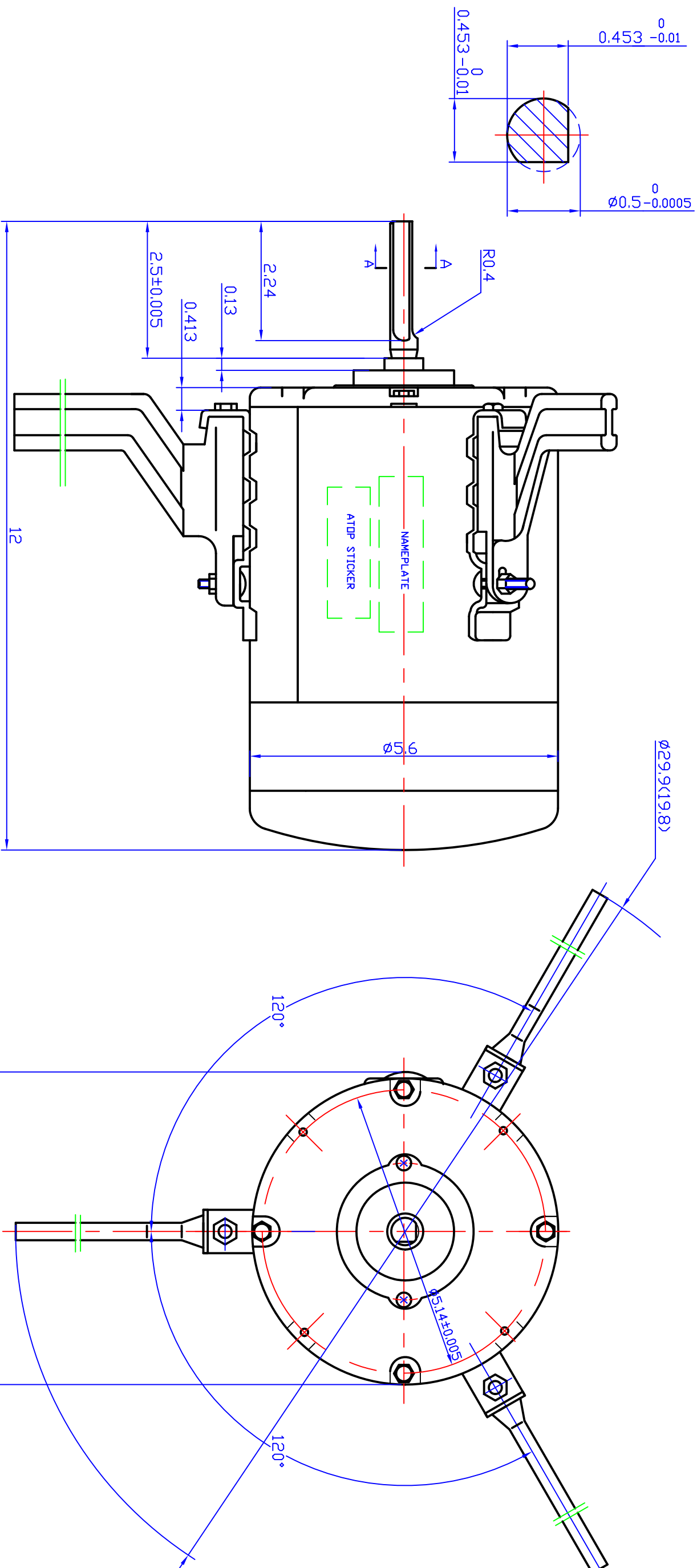


A-A



IND#	REF. NO.	FRAME	PH	HZ	HP	RPM	VOLTS	THERMALLY PROTECTED	S.F.	ENCL.
H907	H054DA44A05	48YZ	1	60	1/2	1725	115/230	AUTD	1.0	TEAD

IND#	H907	REF. NO.	H054DA44A05	V	115	V	230
HP	1/2	RPM	1725	FLA	5.2	FLA	2.6
HZ	60	P.F.	97	SFA		SFA	
PH	1	EFF%	69				
FRAME	48YZ	DES.	N				
TYPE	H	S.F.	1.0				
DATE		CODE	A				

AG-1 MotorTec Inc., East Garafraxa, ON, Canada L9W 7L8

DR BY: **Xioli Ma**

APPD: \_\_\_\_\_

FIRST ANGLE PROJECTION

EDS DATE: 7.15.2024

VERSION: \_\_\_\_\_

AG-1

AG-1 MOTORTEC INC.,

DESCRIPTION: H907 OUTLINE drawing

SIZE: A3

SCALE: 1:2

SHEET: \_\_\_\_\_

CONFIDENTIAL PROPERTY OF GW ELECTRIC (SHANGHAI) CORPORATION AND ARE NOT TO BE DISCLOSED, DUPLICATED, OR OTHERWISE USED WITHOUT THE WRITTEN CONSENT OF GW ELECTRIC (SHANGHAI) CORPORATION, OR ITS AGENT, AG-1 MOTORTEC INC. - ALL RIGHTS RESERVED

REV	ECO	REV BY	DATE	APPD	DATE