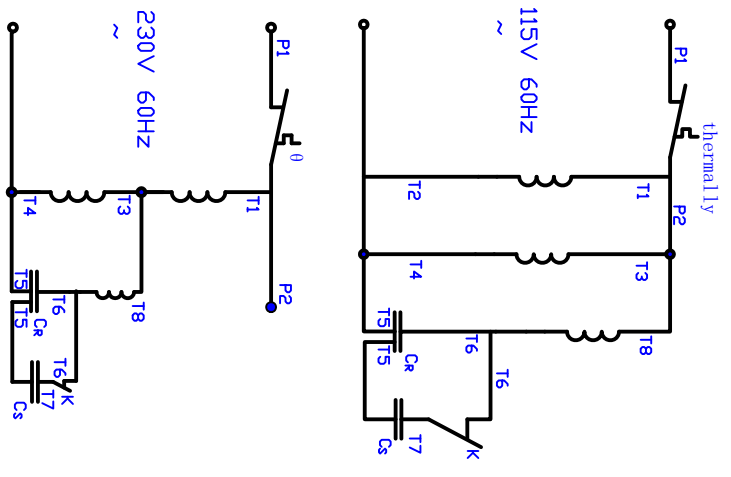
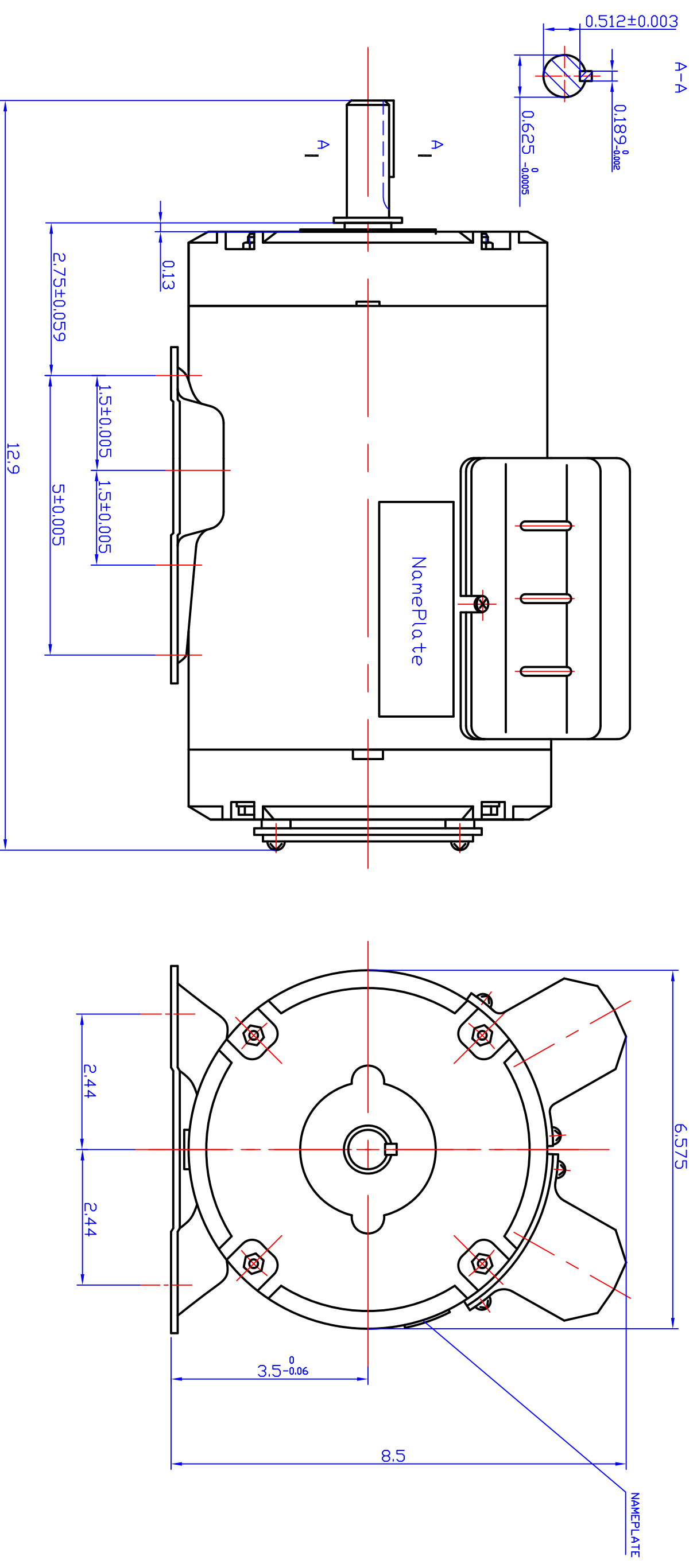


REV	ECO	REV BY	DATE	APPD	DATE



LEESON CAT. NO.	FRAME	PH	HP	Pole	Hz	RPM	Volt	thermal protector	BEARING
F161	56H	1	1	4	60	1170	115/230	Auto	6205 & locked

DR BY: Candy
 APPD: 2021.11.26

FIRST ANGLE PROJECTION
 EDS DATE
 VERSION F161 OUTLINE

AG-I
 AG-I MOTORTEC INC.,

DESCRIPTION
 F161 OUTLINE

CONFIDENTIAL PROPERTY OF GW ELECTRIC (SHANGHAI) CORPORATION AND ARE NOT TO BE DISCLOSED, DUPLICATED, OR OTHERWISE USED WITHOUT THE WRITTEN CONSENT OF GW ELECTRIC (SHANGHAI) CORPORATION, OR ITS AGENT, AG-I MOTORTEC INC.
 - ALL RIGHTS RESERVED

SIZE A3
 DWG NO
 SCALE 1:1.5
 SHEET