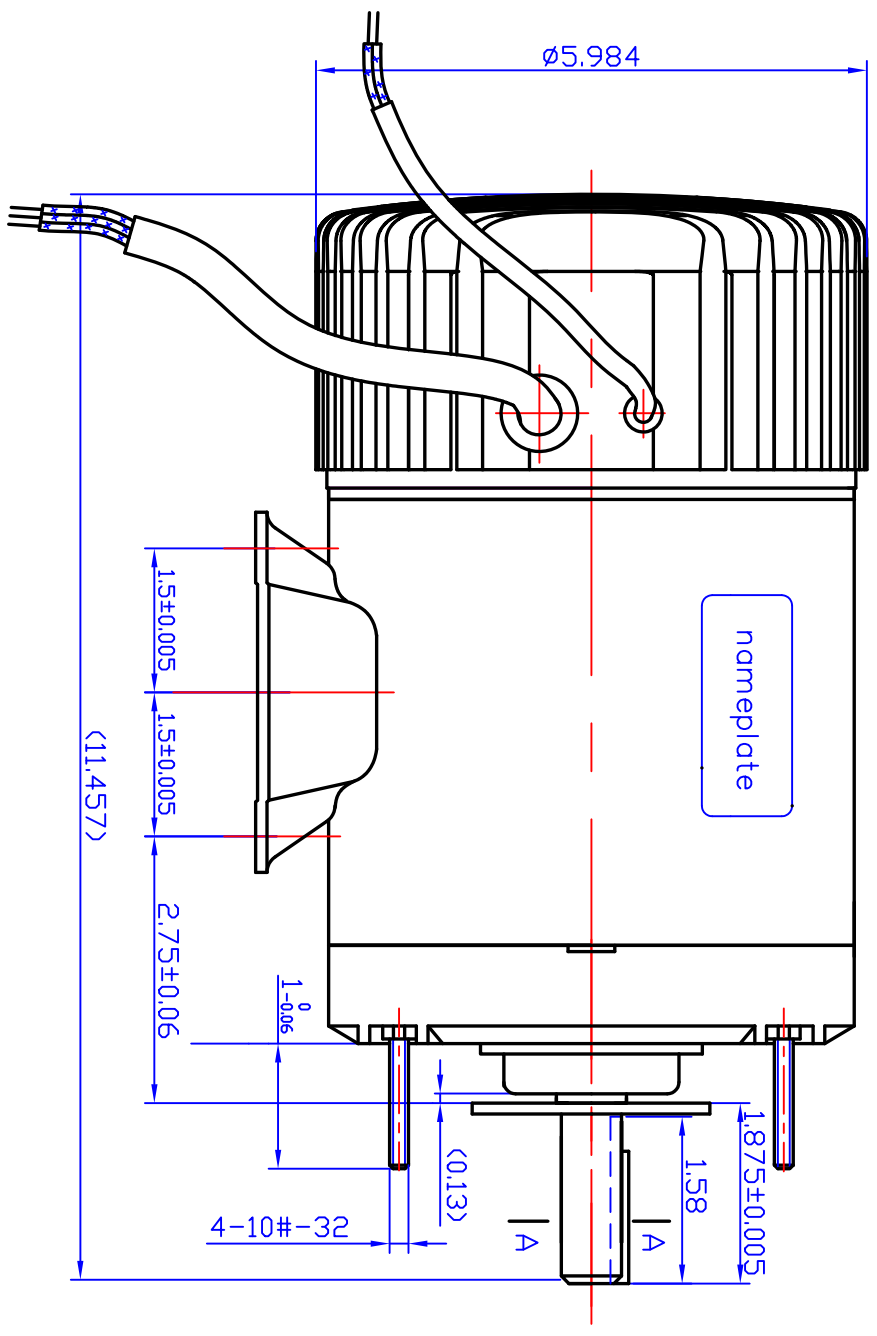
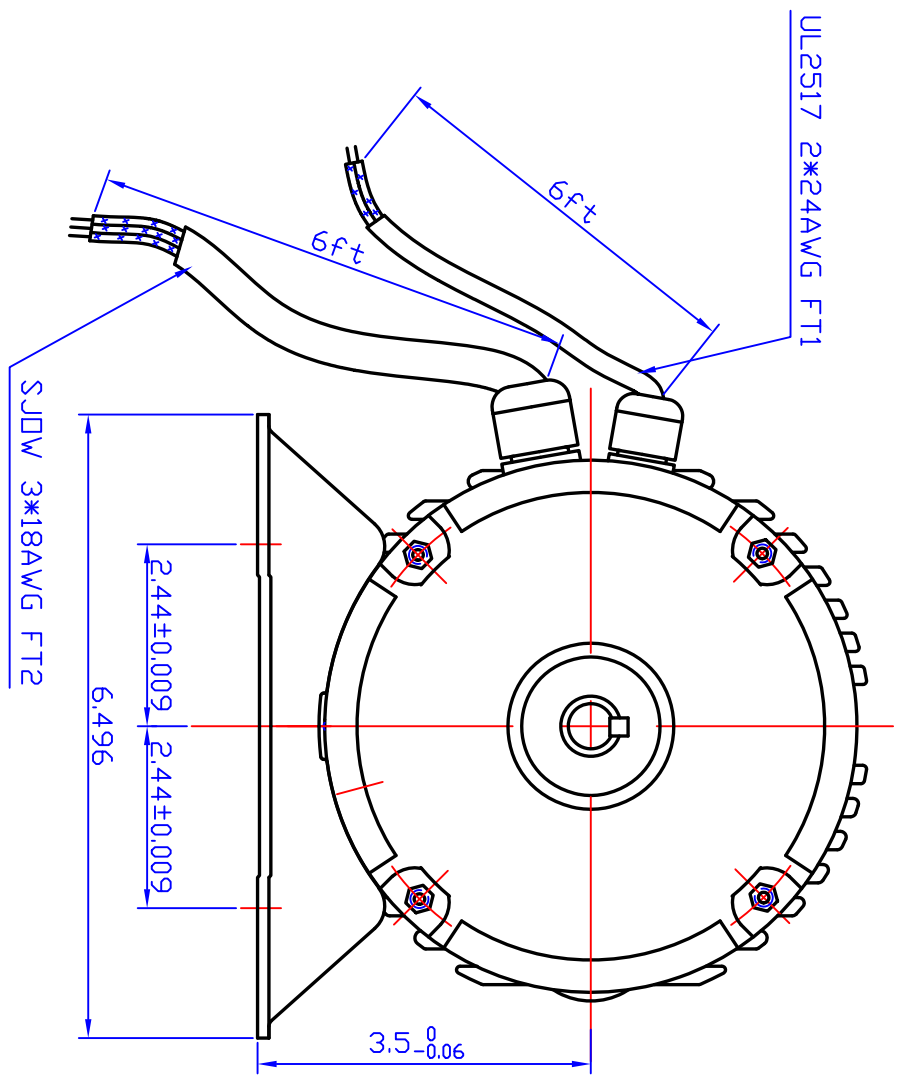
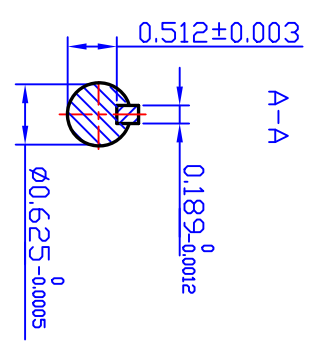



REV	ECO	REV BY	DATE	APPD	DATE
-----	-----	--------	------	------	------



IND#	Model Number	W	VOLTS	FRAME	Hz	RPM	Rotation
EC537	ECN48B10CN/EC10V-C1	735	115/230	S56	50/60	300-900	CCW facing shaft

DR BY: \_\_\_\_\_

APPD: \_\_\_\_\_

FIRST ANGLE PROJECTION 

EDS DATE \_\_\_\_\_

VERSION \_\_\_\_\_

DESCRIPTION: **AG-I** DUTLINE

AG-I MOTORTEC INC.,

AG-I MOTORTEC INC. CONFIDENTIAL PROPERTY OF GW ELECTRIC (SHANGHAI) CORPORATION AND ARE NOT TO BE DISCLOSED, DUPLICATED, OR OTHERWISE USED WITHOUT THE WRITTEN CONSENT OF GW ELECTRIC (SHANGHAI) CORPORATION, OR ITS AGENT, AG-I MOTORTEC INC. - ALL RIGHTS RESERVED

SIZE: A3

SCALE: 1:2

SHEET \_\_\_\_\_