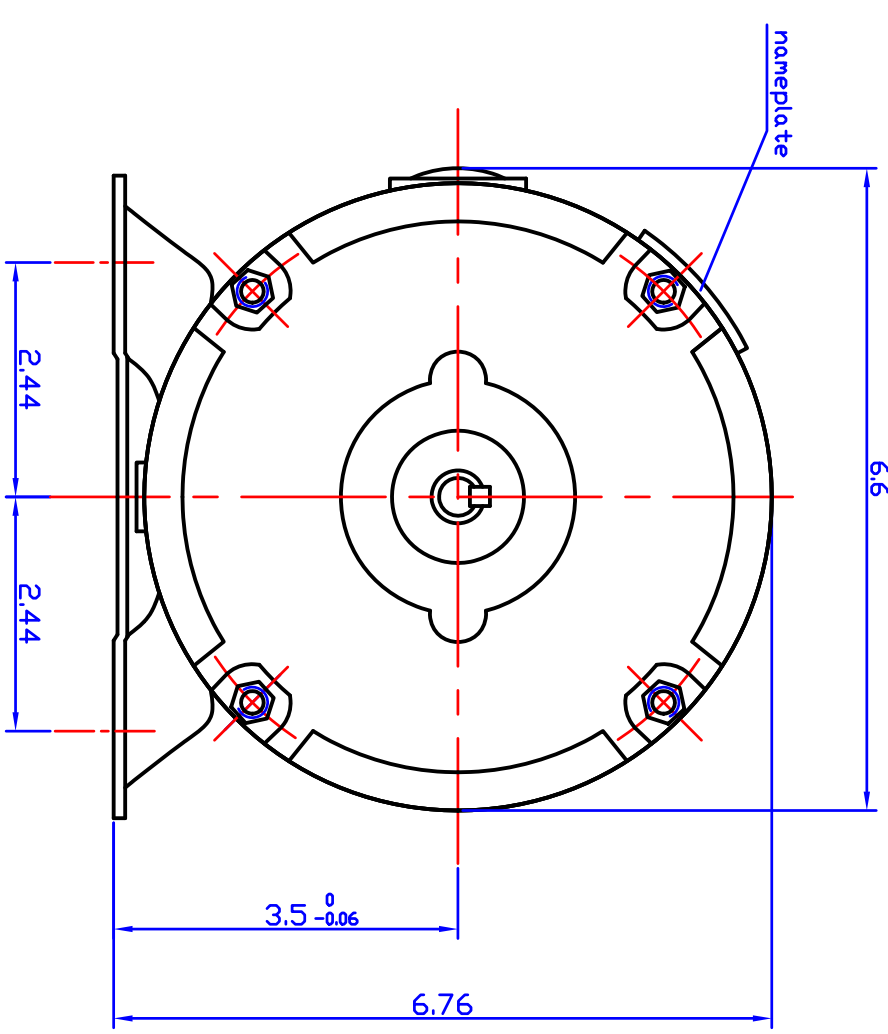
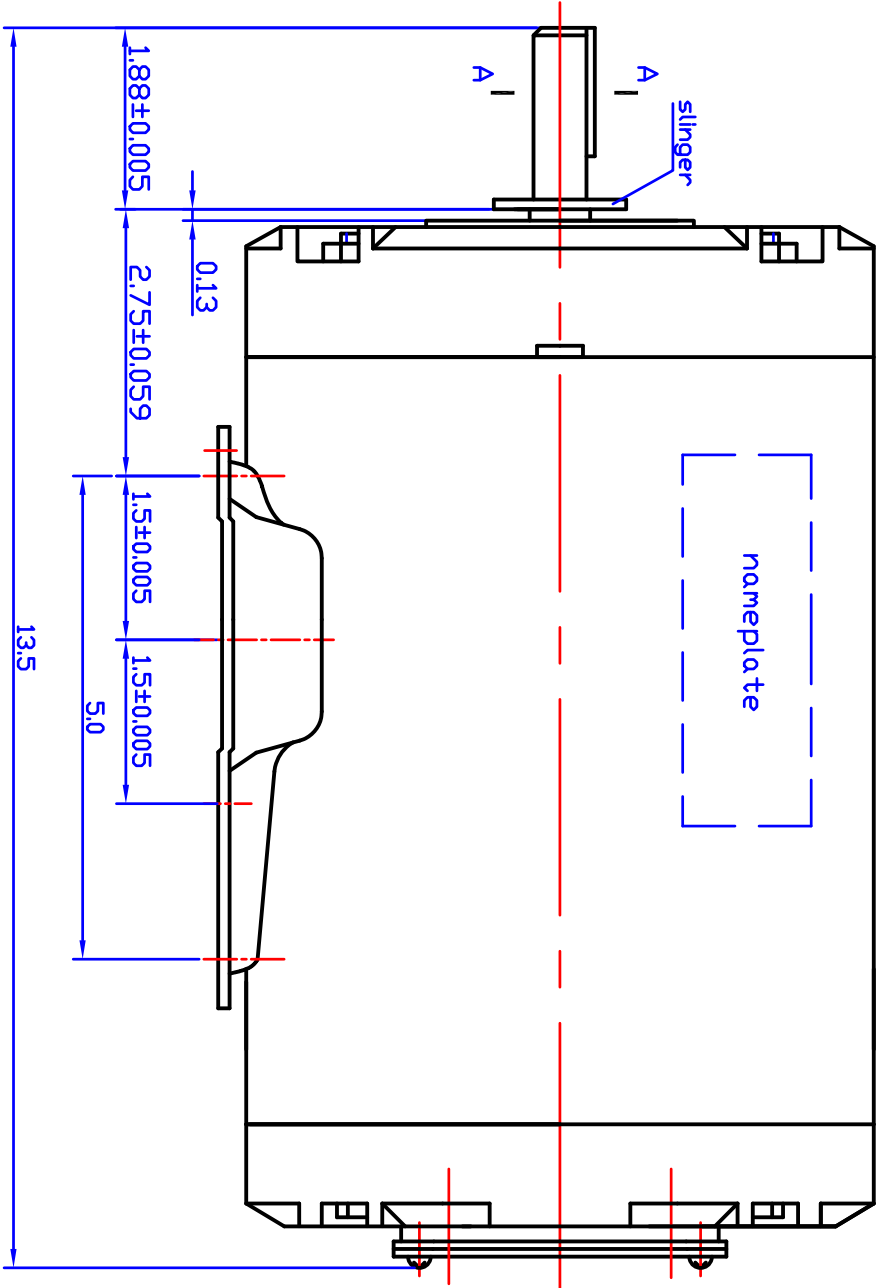
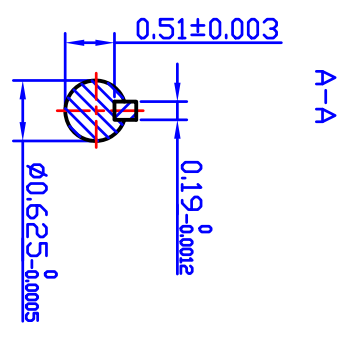


REV	ECO	REV BY	DATE	APPD	DATE



AG-I MODEL No.	FRAME	HP	VOLTS	Hz	RPM	PH	S.F.	INSL.	Thermally Protected	endclose	DUTY
T204UA7BAP7	56H	2,1.5	208-230/4602,190/380	60,50	1745,1440	3	1.15	F	CWJ50KR	TEAD	CDNT.

DR BY: \_\_\_\_\_

APPD: \_\_\_\_\_

FIRST ANGLE PROJECTION

EDS DATE \_\_\_\_\_

VERSION \_\_\_\_\_

DESCRIPTION: TU02A T204UA7BAP7

AG-I MOTORTEC INC.,

AG-I

CONFIDENTIAL PROPERTY OF GW ELECTRIC (SHANGHAI) CORPORATION AND ARE NOT TO BE DISCLOSED, DUPLICATED, OR OTHERWISE USED WITHOUT THE WRITTEN CONSENT OF GW ELECTRIC (SHANGHAI) CORPORATION, OR ITS AGENT, AG-I MOTORTEC INC.

SCALE 1:2

SHEET \_\_\_\_\_