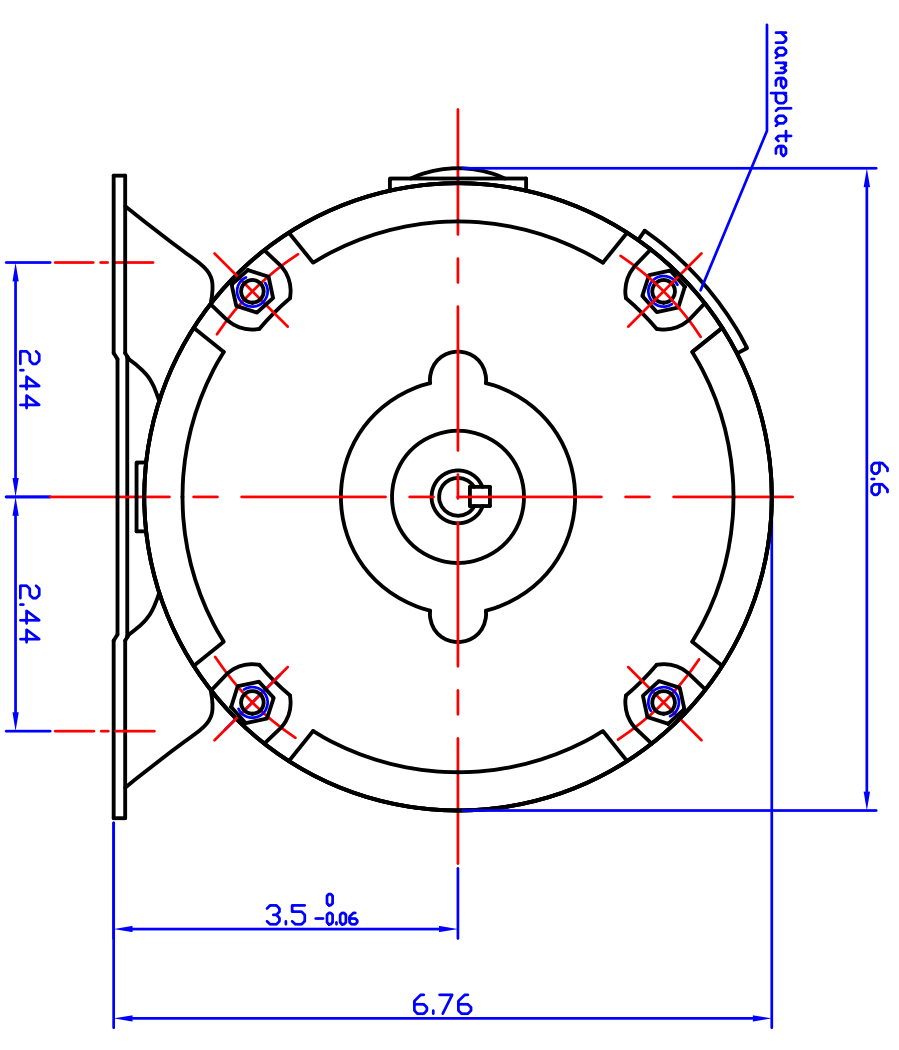
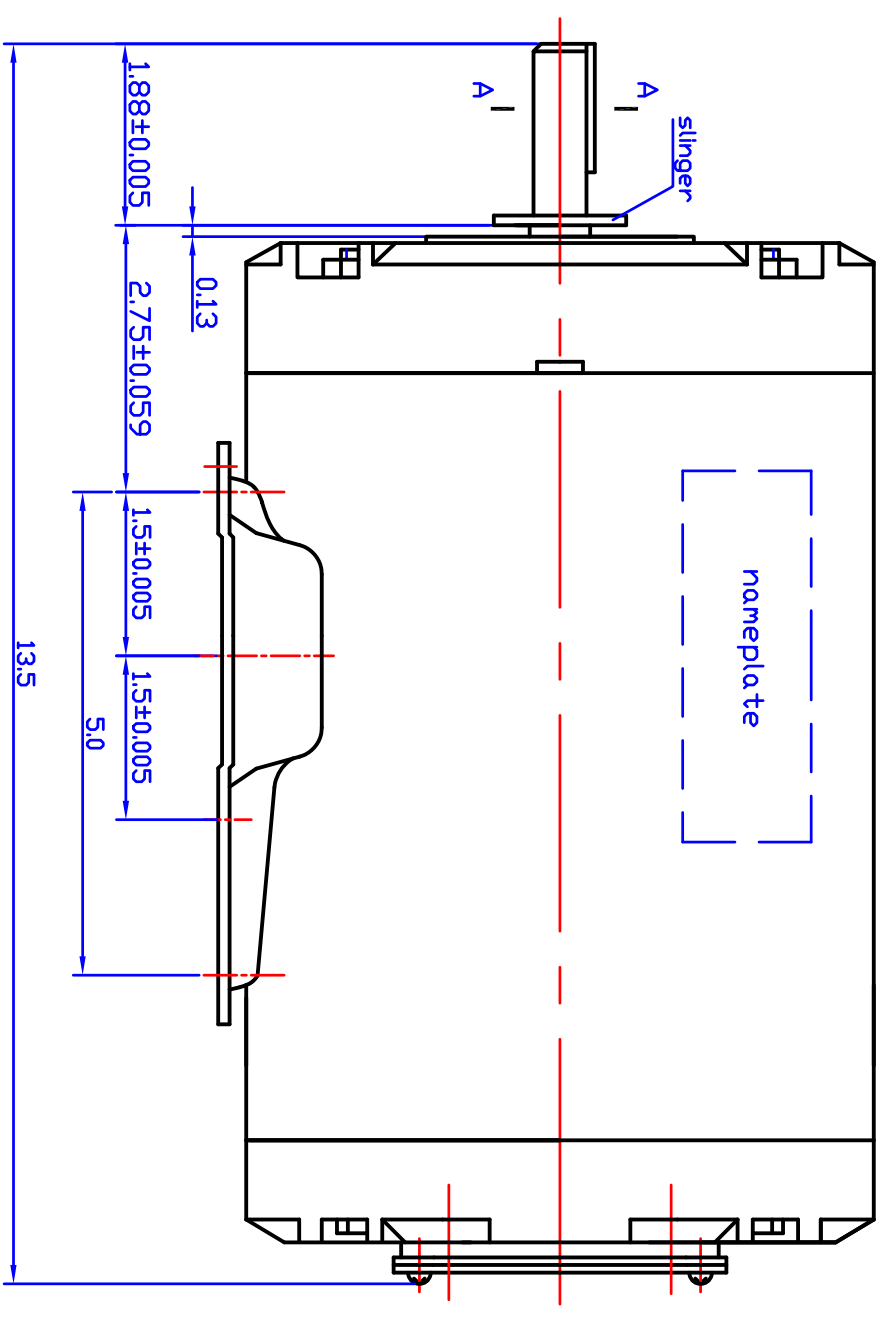
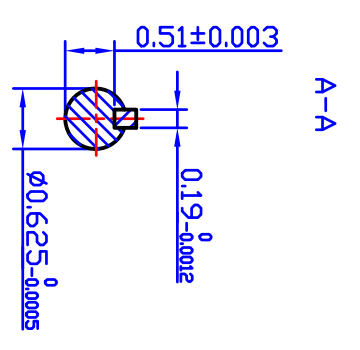


REV	ECO	REV BY	DATE	APPD	DATE



AG-I MODEL No.	FRAME	HP	VOLTS	HZ	RPM	PH	S.F.	INSL.	Thermally Protected	endclose	DUTY
T204CA7BAP7	56H	2	575	60	1745	3	1.15	F	CWJ50KR	TEAD	CDNT.

DR BY: \_\_\_\_\_

APPD: \_\_\_\_\_

FIRST ANGLE PROJECTION

EDS DATE \_\_\_\_\_

VERSION \_\_\_\_\_

DESCRIPTION: **AG-I** TC02A T204CA7BAP7

AG-I MOTORTEC INC.,

CONFIDENTIAL PROPERTY OF GW ELECTRIC (SHANGHAI) CORPORATION AND ARE NOT TO BE DISCLOSED, DUPLICATED, OR OTHERWISE USED WITHOUT THE WRITTEN CONSENT OF GW ELECTRIC (SHANGHAI) CORPORATION, OR ITS AGENT, AG-I MOTORTEC INC.

SIZE: A3 DWG NO: \_\_\_\_\_

SCALE: 1:2 SHEET: \_\_\_\_\_

AG-I MOTORTEC INC. - ALL RIGHTS RESERVED